

SABCO

SADEV BALUSTRADE CONCEPT

2022/2023

GUARDRAILS ALL IN GLASS



We Build the Invisible

Member of
**SIMONSWERK
GROUP**

Our experience and know-how will accompany you !

We are specialized in the design and manufacture of fastening systems for the building and glass industries.

We have been a pioneer in the stapled glass fastening market for over 20 years.

We have combined engineering and architectural know-how to allow us to develop a complete range of glass balustrades to suit every project.

Our profiles are aesthetically minimalist but extremely efficient. **They have been tested and are validated by the Avis Technique, issued by the CSTB, as well as by other recognized organizations around the world.**

Our fixing system is fast, simple and adjustable as we know the constraints you face during installation!

All our profiles have **customization options** to make your project unique and original.

Safety being our foundation, **we have expanded our range of handrails with a wider choice of products.**

We have the technical and aesthetic solution and we accompany you in your projects of guardrails.

SUMMARY

SUMMARY PROFILES

④ 4 & 5



THE FINISHES

④ 8



OUR CSR APPROACH

④ 154 & 155



SADEV ON LINE

④ 156 & 157



INSTRUCTIONS FOR ASSEMBLY

Floor
④ 48 & 49

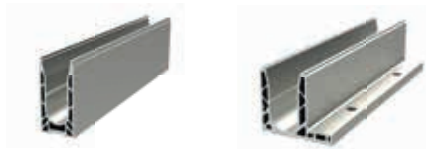
Side
④ 78 & 79

INDEX PRODUCTS

④ 158 & 159

PROFILES
FLOOR MOUNTING

⊙ 6 to 51



PROFILES
SIDE MOUNTING

⊙ 52 to 81



GUARDRAILS
CURVED

⊙ 82 to 89



GUARDRAILS
HIGH LEVEL

⊙ 90 to 95



WEDGES, CLADDINGS
& ACCESSORIES

⊙ 96 to 129



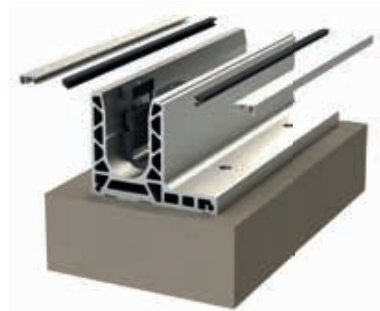
HAND
RAILS

⊙ 130 to 153



SUMMARY PROFILES

PROFILES FLOOR MOUNTING



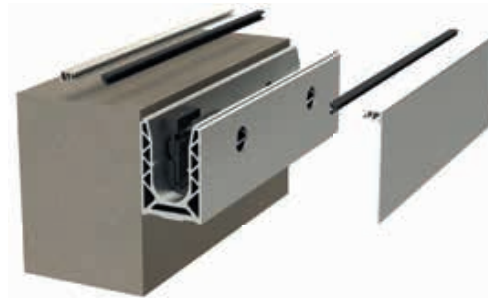
	Performance	Tested & approved	Reference	Type of mounting	Thickness of glass (mm)	Application	Compatibility of wedges	Page
	2 kN	✓	8050 0080RAIL50	Floor	11.5 > 13.5	Private	Double Side	12
	3 kN	✓	8050 0080RAIL50	On acroterion	11.5 > 13.5	Private / Public	Double Side	16
	3 kN	✓	7017 0070RAIL17	Offset floor, inverted offset	12 > 25.52	Private / Public	Double Side One Side	20
	3 kN	✓	7030 0070RAIL30	Floor, build in slab	12 > 25.52	Private / Public	Double Side One Side	24
	6 kN	✓	7010 0070RAIL10	Floor, build in slab	12 > 25.52	Private / Public	Double Side One Side	28
	6 kN	✓	7015 0070RAIL15	Offset floor	12 > 25.52	Private / Public	Double Side One Side	32
	10 kN	✓	7018 0070RAIL18	Floor	24 > 34	Private / Public /stade	Double Side	36
	10 kN	✓	7018L 0070RAIL18L	Offset floor	24 > 34	Private / Public /stade	Double Side	40
	10 kN	✓	7019 0070RAIL19	Floor	12 > 25.52	Private / Public /stade	Double Side One Side	44









**TESTED &
APPROVED**



PROFILES **SIDE MOUNTING**



	Performance	Tested & approved	Reference	Type of mounting	Thickness of glass (mm)	Application	Compatibility of wedges	Page
	3 kN	✓	7031 0070RAIL31	Side	12 > 25.52	Private / Public	Double Side One Side	54
	3 kN	✓	7031R 0070RAIL31R	Reverse side	12 > 25.52	Private / Public	Double Side	58
	3 kN	✓	7011 0070RAIL11	Side	12 > 25.52	Private / Public	Double Side One Side	62
	3 kN	✓	7011R 0070RAIL11R	Reverse side	12 > 25.52	Private / Public	Double Side One Side	66
	6 kN	✓	7013 0070RAIL13	Side mounted offset	12 > 25.52	Private / Public	Double Side One Side	70
	6 kN	—	7013D 0070RAIL13D	Side double mounted offset	12 > 25.52	Private / Public	Double Side One Side	74

APPLICATIONS

Our profiles differ from other products on the market by being easy and fast to assemble!

The simple installation features make it ideal for installing on stairs and ramps without special tools or messy cement grouts.



**GUARDRAIL
INCLINE**

FLOOR MOUNTING

Up to 40° angle to the horizontal.

The mounting is identical to the horizontal installation process.

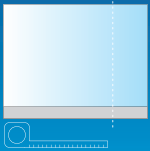
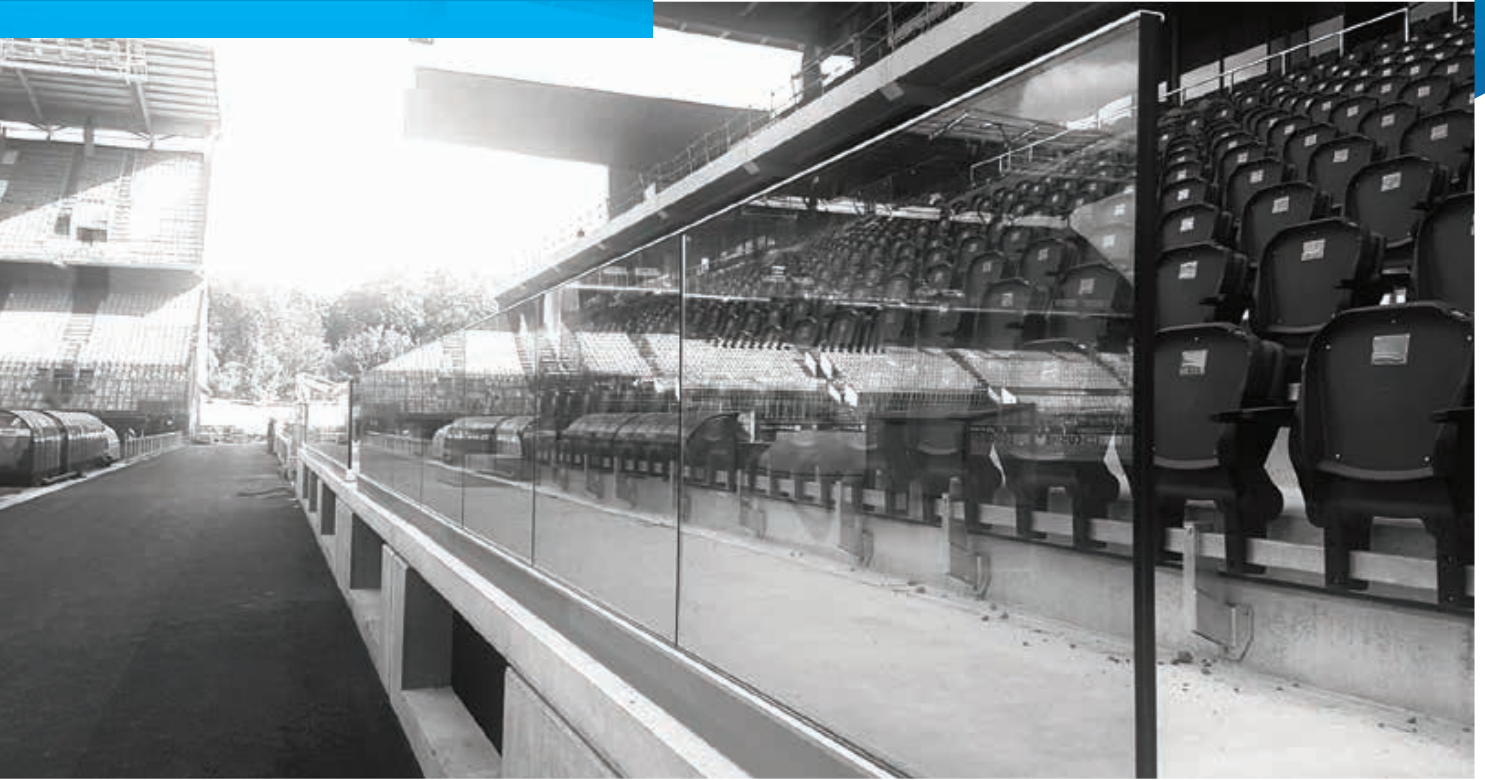




GUARDRAIL HIGH PERFORMANCE

FLOOR MOUNTING

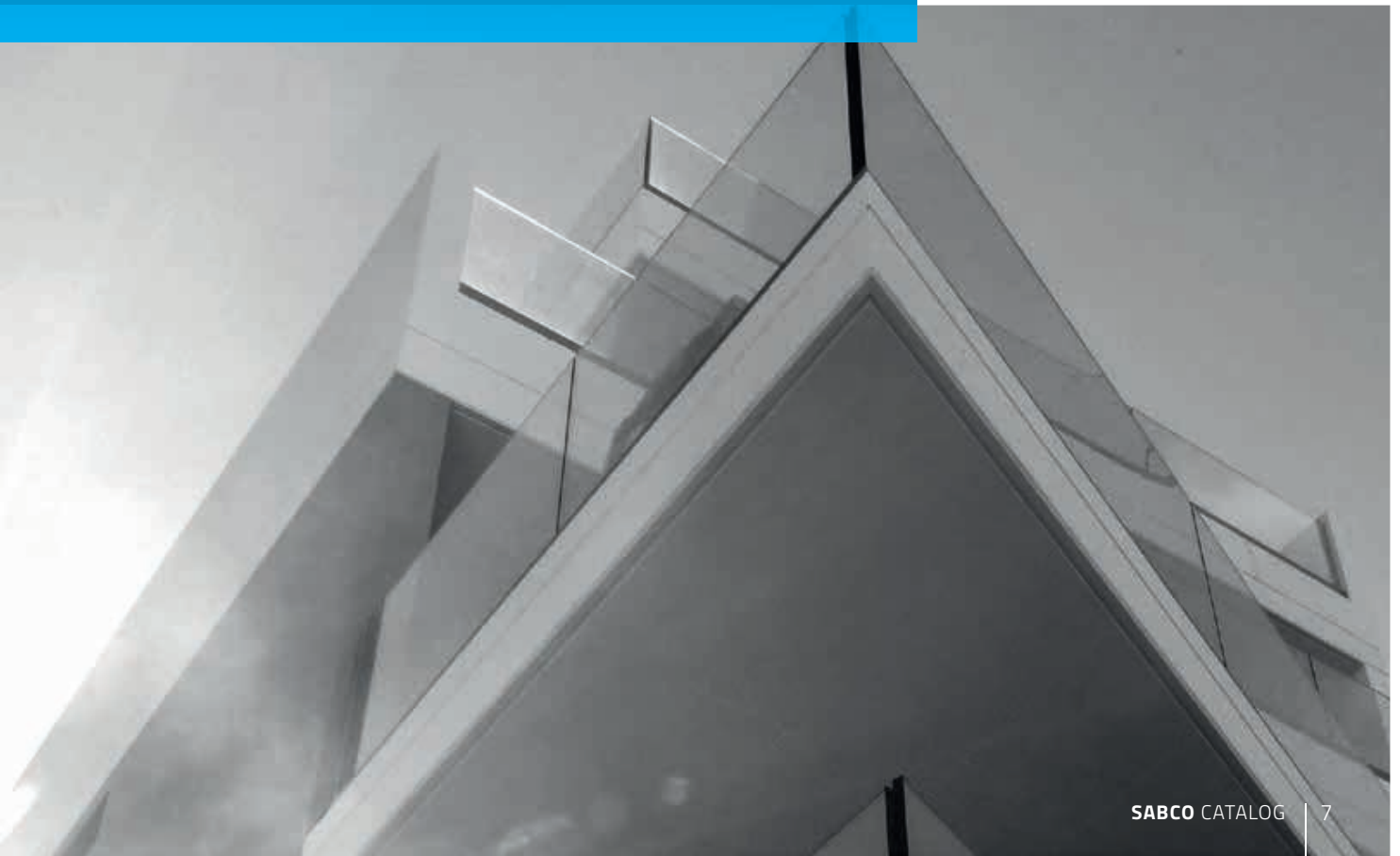
its high performance has been confirmed by tests carried out for use in stadium stands or auditoriums.



GUARDRAIL MADE TO MEASUREMENTS

FLOOR MOUNTING

A pre-cut to order service is available to speed up on site installation.



FINISHES

Depending on your project, you can customize the profiles, claddings and end caps.

Several finishes are available:

- **ANODIZED ALUMINUM:**
this process makes the aluminum more resistant to corrosion and wear.
- **BRUSHED STAINLESS STEEL EFFECT ALUMINUM:**
the finish brushed aluminum can be used indoors and outdoors. Its anodized surface protects it against corrosion and abrasion.
- **THE RAL COLOR CHART:**
color options are available to meet project specifications.



BRUSHED
STAINLESS STEEL
EFFECT ALUMINUM
Code: **02**



ANODIZED ALUMINUM
Code: **01**



RAL
COLORS
Code: **03**

CORSICA

RESIDENTIAL HOME

RESIDENTIAL APPLICATION



FRANCE

HOTEL VILLA CAROLINE

PUBLIC APPLICATION

PROFILE 7010

Performance: 6 kN

Thickness of glass: 12 > 25.52 mm

Mounting: floor















TABLE OF PROFILES



**TESTED &
APPROVED**



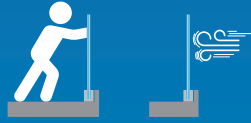
See the page corresponding for each profile to obtain the technical specifications.

	Performance	Tested & approved	Part number	Type of mounting	Thickness of glass	Page
			8050 0080RAIL50	Floor	11.5 > 13.5 mm	12
			8050 0080RAIL50	On acroterion	11.5 > 13.5 mm	16
			7017 0070RAIL17	Offset floor, inverted offset	12 > 25.52 mm	20
			7030 0070RAIL30	Floor, build in slab	12 > 25.52 mm	24
			7010 0070RAIL10	Floor, build in slab	12 > 25.52 mm	28
			7015 0070RAIL15	Offset floor	12 > 25.52 mm	32
			7018 0070RAIL18	Floor	24 > 34 mm	36
			7018L 0070RAIL18L	Offset floor	24 > 34 mm	40
			7019 0070RAIL19	Floor	12 > 25.52 mm	44

FLOOR MOUNTING



PROFILE 8050



TESTED & APPROVED



All the elements compatible with the **8050 PROFILE** can be found in this section

WEDGES, CLADDINGS & ACCESSORIES > p.96

THICKNESS OF GLASS
11.5 > 13.5 mm

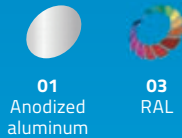


APPLICATION | **RESIDENTIAL** |

COMPATIBILITY OF WEDGES
Double Side



POSSIBLE FINISHES



ADJUSTMENT OF GLASS
+ or - 15 mm



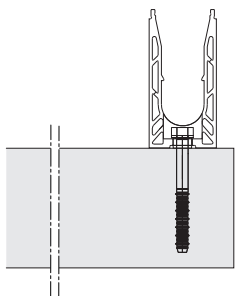
sadev.com



BIM
PRODUCT

► Reference **0080RAIL50**

TYPE OF USE

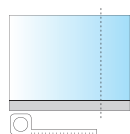


FLOOR MOUNTING

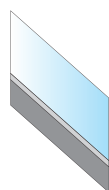
DIFFERENT SPECIFICITIES



CURVED




MADE TO MEASURE



INCLINE

TECHNICAL SPECIFICATION AND INTERNATIONAL CERTIFICATION

Solutions tested according to regulations of different countries  can be found in the country performance guide.

FLOOR MOUNTING PROFILE 8050



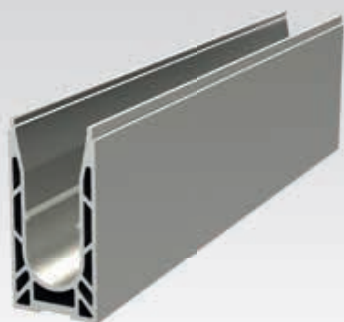
THICKNESS OF GLASS
11.5 > 13.5 mm

► Reference **0080RAIL50**

TESTED & APPROVED

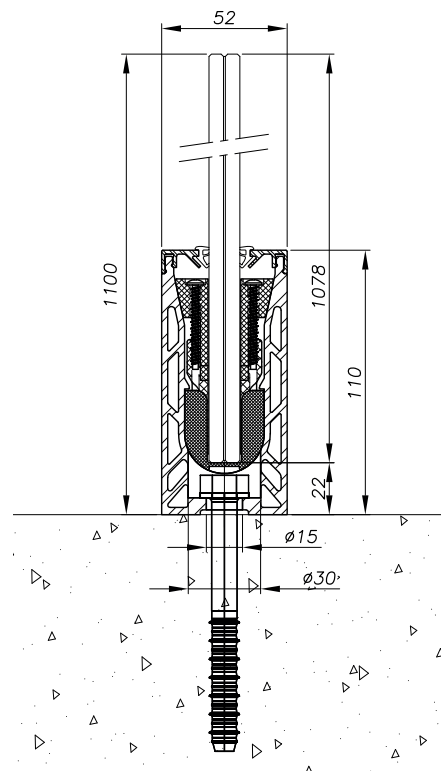


6.6 tempered laminated



TECHNICAL CHARACTERISTICS

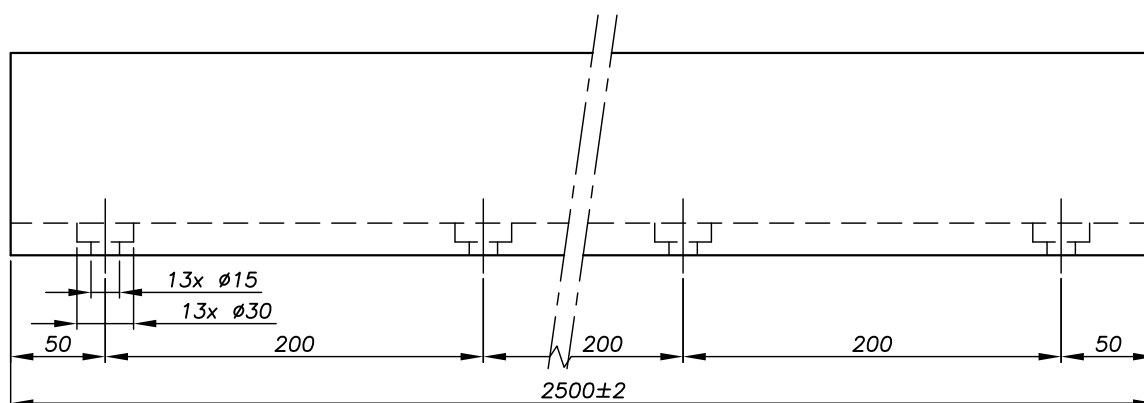
Length	2 500 / 5 000 mm (on request)
Width	52 mm
Height of profile	107 mm
Material	Aluminum
Type of application	Residential
Type of mounting	Floor
Thickness of glass	11.5 > 13.5 mm
Height of guardrail	Standard: 1 100 mm
Profile finish	Anodized aluminum , RAL
Fixing the profile	From 200 to 400 mm depending on the characteristics of your project.



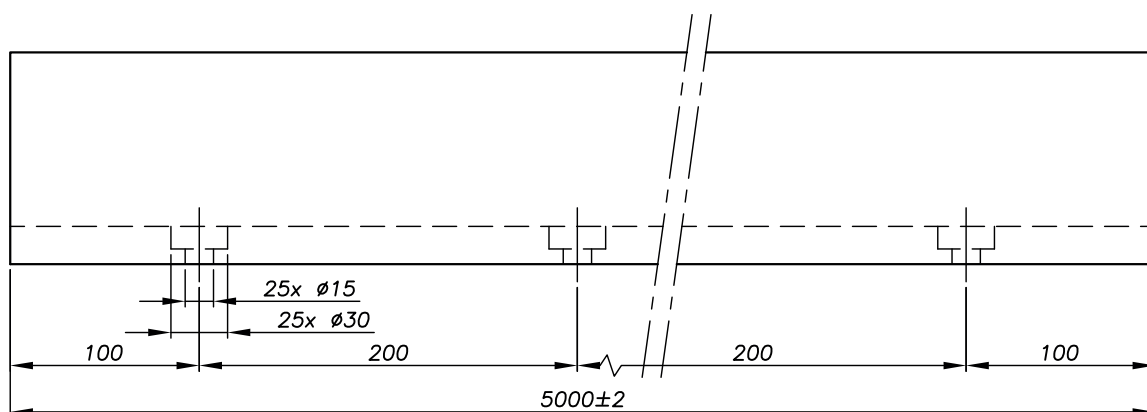
**FOR MORE INFORMATION
ON ANCHORING THE PROFILE:**
see our country performance guide
or the Technical Advice for each profile.

TECHNICAL PLANS

► 2 500 mm - Reference **0080RAIL50**



► 5 000 mm - Reference **0080RAIL60 (on request)**



DRAINAGE & EXPANSION

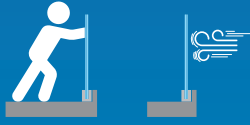
For more details, see **page 50**

PARAPET MOUNTING

PERFORMANCE

3 kN

PROFILE 8050



THICKNESS OF GLASS
11.5 > 13.5 mm

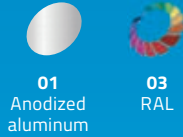


APPLICATION | RESIDENTIAL | PUBLIC |

COMPATIBILITY OF WEDGES
Double Side



POSSIBLE FINISHES



ADJUSTMENT OF GLASS
+ or - 15 mm



TESTED & APPROVED



All the elements compatible with the
8050 PROFILE can be found in this section

WEDGES, CLADDINGS & ACCESSORIES > p.96



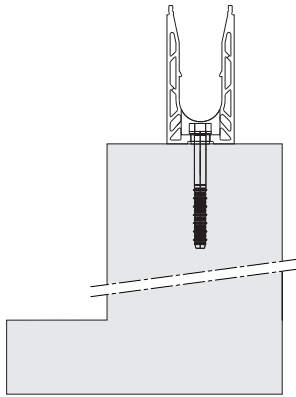
sadev.com



BIM
PRODUCT

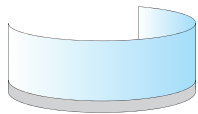
► Reference **0080RAIL50**

TYPE OF USE

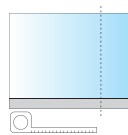


MOUNTING ON ACROTERION

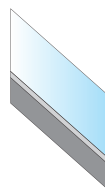
DIFFERENT SPECIFICITIES



CURVED




MADE TO MEASURE



INCLINE

TECHNICAL SPECIFICATION AND INTERNATIONAL CERTIFICATION

Solutions tested according to regulations of different countries  can be found in the country performance guide.

PARAPET MOUNTING PROFILE 8050



THICKNESS OF GLASS
11.5 > 13.5 mm

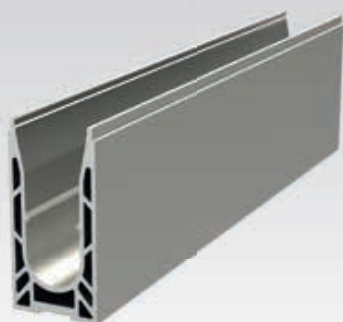
► Reference **0080RAIL50**

TESTED & APPROVED



ONLY SOLUTION

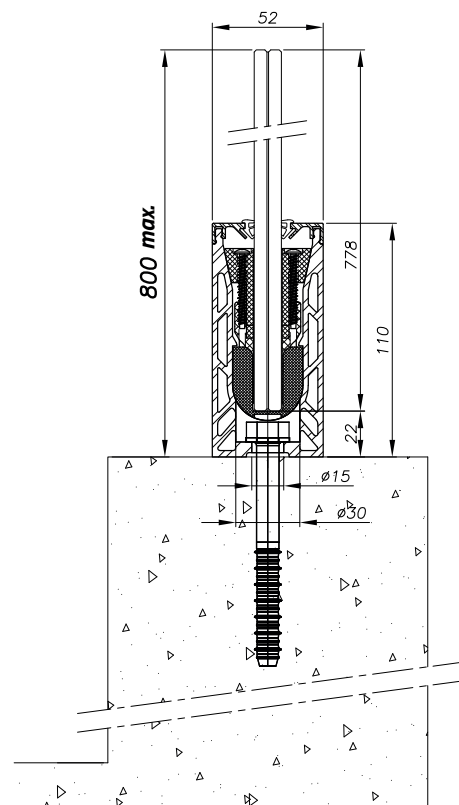
**6.6 tempered approved
for acroterion**
(public application)



TECHNICAL CHARACTERISTICS

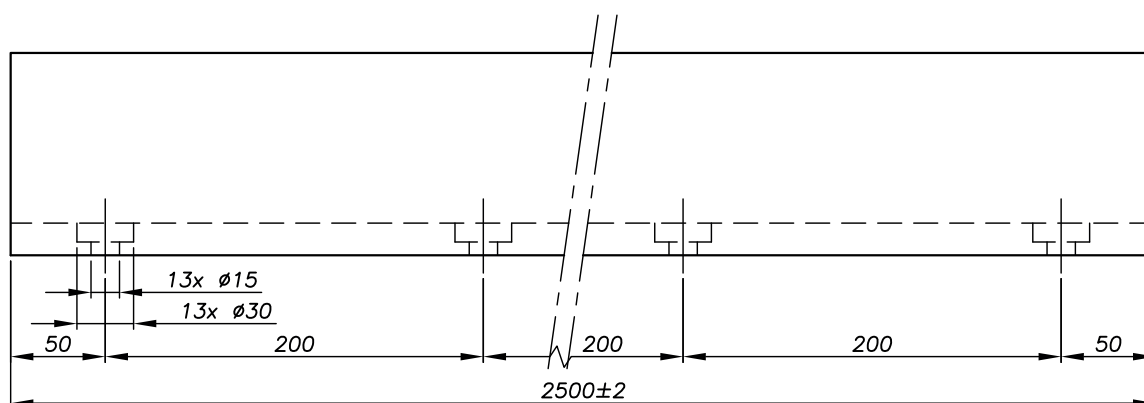
Length	2 500 / 5 000 mm (on request)
Width	52 mm
Height of profile	107 mm
Material	Aluminum
Type of application	Residential / public
Type of mounting	Acroterion
Thickness of glass	11.5 > 13.5 mm
Height of guardrail	800 mm max.
Profile finish	Anodized aluminum , RAL
Fixing the profile	From 200 to 400 mm depending on the requirements of your project.

**FOR MORE INFORMATION
ON ANCHORING THE PROFILE:**
see our country performance guide
or the Technical Advice for each profile.

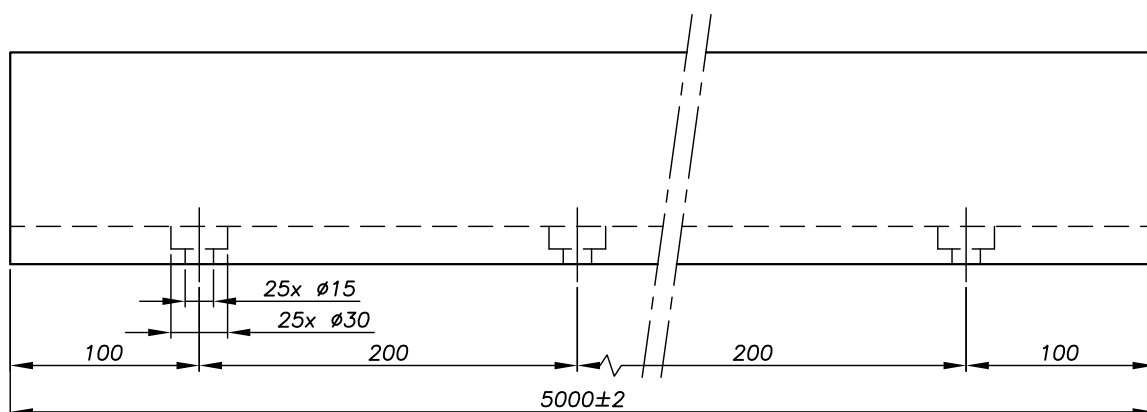


TECHNICAL PLANS

► 2 500 mm - Reference **0080RAIL50**



► 5 000 mm - Reference **0080RAIL60 (on request)**



DRAINAGE & EXPANSION

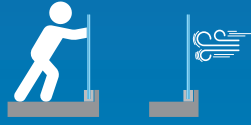
For more details, see **page 50**

FLOOR MOUNTING

PERFORMANCE

3 kN

PROFILE 7017



THICKNESS OF GLASS
12 > 25.52 mm

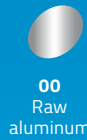


APPLICATION | RESIDENTIAL | PUBLIC |

COMPATIBILITY OF WEDGES
One Side & Double Side



POSSIBLE FINISHES



00
Raw
aluminum



01
Anodized
aluminum



03
RAL

ADJUSTMENT OF GLASS
+ or - 15 mm



TESTED & APPROVED



All the elements compatible with the
7017 PROFILE can be found in this section

WEDGES, CLADDINGS & ACCESSORIES > p.96



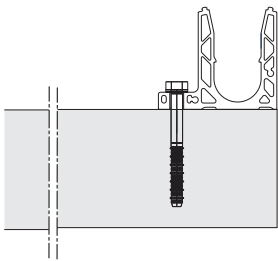
sadev.com



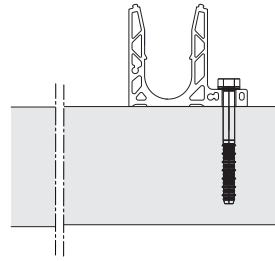
BIM
PRODUCT

► Reference **0070RAIL17**

TYPE OF USE

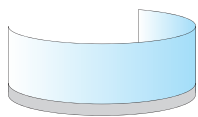


MOUNTING OFFSET FLOOR

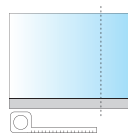


MOUNTING INVERTED OFFSET FLOOR

DIFFERENT SPECIFICITIES




CURVED



MADE TO MEASURE

TECHNICAL SPECIFICATION AND INTERNATIONAL CERTIFICATION

Solutions tested according to regulations of different countries  can be found in the country performance guide.

FLOOR MOUNTING PROFILE 7017



THICKNESS OF GLASS
12 > 25.52 mm

► Reference **0070RAIL17**

TESTED & APPROVED

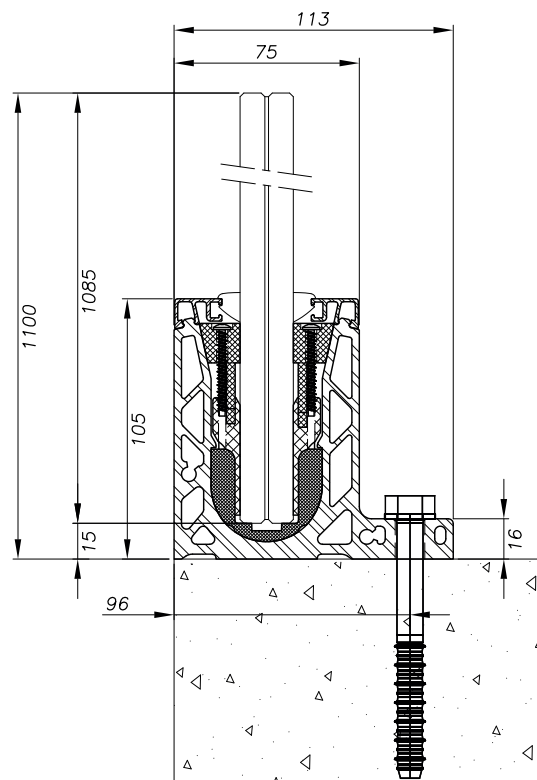


COMPACT
Special slab edge



TECHNICAL CHARACTERISTICS

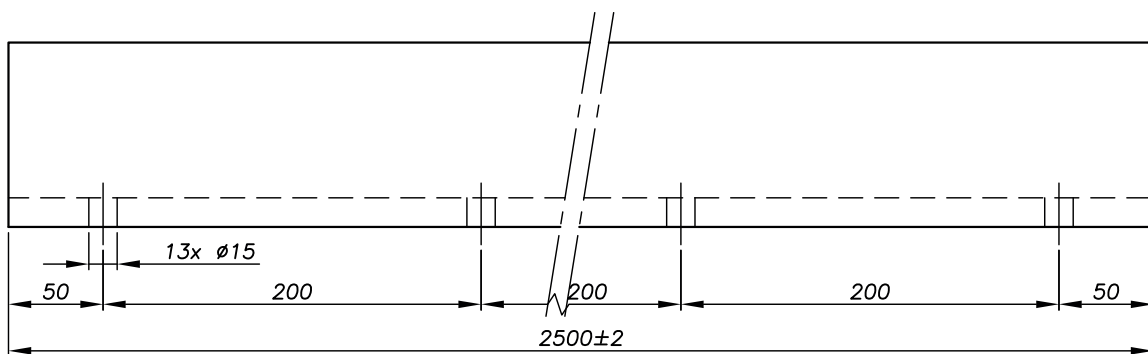
Length	2 500/5 000 mm (on request)
Width	113 mm
Height of profile	98 mm
Material	Aluminum
Type of application	Residential /public
Type of mounting	Offset floor / inverted offset floor
Thickness of glass	12 > 25.52 mm
Height of guardrail	Standard: 1 100 mm Different height on request
Profile finish	Anodized aluminum, raw, RAL
Fixing the profile	Every 400 mm according to the requirements of your project.



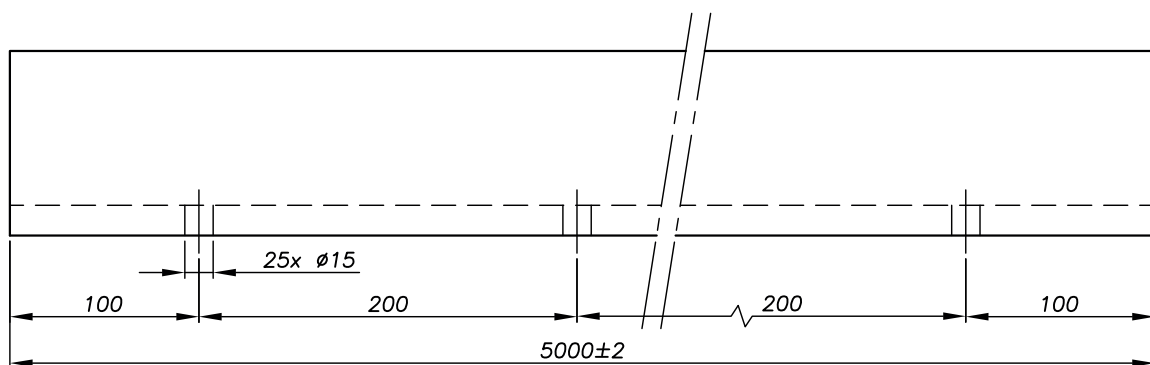
**FOR MORE INFORMATION
ON ANCHORING THE PROFILE:**
see our country performance guide
or the Technical Advice for each profile.

TECHNICAL PLANS

► 2 500 mm - Reference 0070RAIL17



► 5 000 mm - Reference 0070RAIL27 (on request)



DRAINAGE & EXPANSION

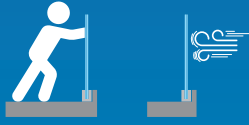
For more details, see **page 50**

FLOOR MOUNTING

PERFORMANCE

3 kN

PROFILE
7030



THICKNESS OF GLASS
12 > 25.52 mm



APPLICATION | **RESIDENTIAL** | **PUBLIC** |

COMPATIBILITY OF WEDGES
One Side & Double Side



POSSIBLE FINISHES



01
Anodized
aluminum



02
Brushed
stainless
steel effect



03
RAL

ADJUSTMENT OF GLASS
+ or - 15 mm



TESTED & APPROVED



All the elements compatible with the
7030 PROFILE can be found in this section

WEDGES, CLADDINGS & ACCESSORIES > p.96



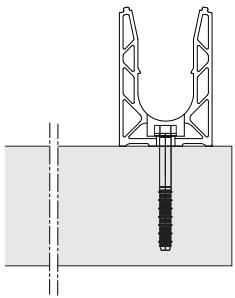
sadev.com



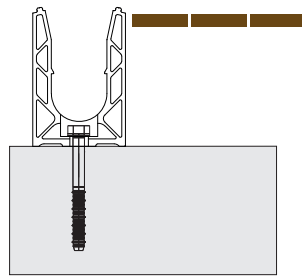
BIM
PRODUCT

► Reference **0070RAIL30**

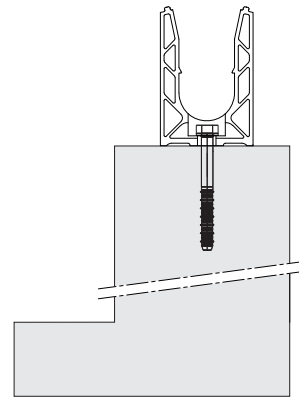
TYPE OF USE



FLOOR MOUNTING

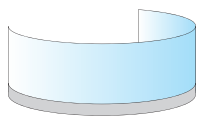


BUILT-IN MOUNTING

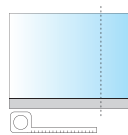


MOUNTING ON ACROTÉRIUM

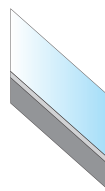
DIFFERENT SPECIFICITIES



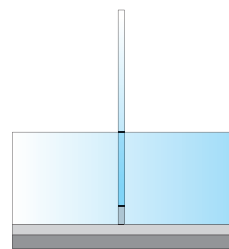
CURVED



MADE TO MEASURE




INCLINE



SEPARATOR

TECHNICAL SPECIFICATION AND INTERNATIONAL CERTIFICATION

Solutions tested according to regulations of different countries  can be found in the country performance guide.

FLOOR MOUNTING PROFILE 7030



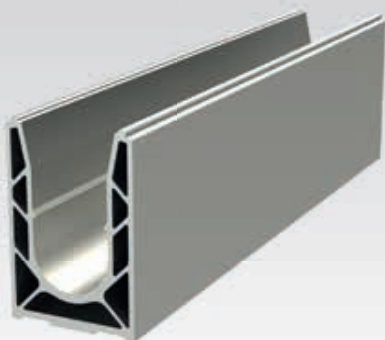
THICKNESS OF GLASS
12 > 25.52 mm

► Reference **0070RAIL30**

TESTED & APPROVED

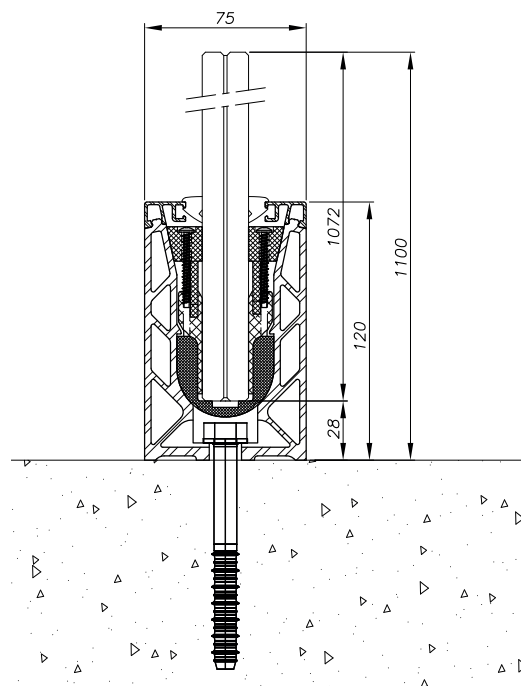


Profile suitable for curving



TECHNICAL CHARACTERISTICS

Length	2 500 mm / 5 000 mm
Width	75 mm
Height of profile	112 mm
Material	Aluminum
Type of application	Residential / public
Type of mounting	Floor, built-in-slab, on acroterion
Thickness of glass	12 > 25.52 mm
Height of guardrail	Standard: 1 100 mm Different height on request
Profile finish	Anodized aluminum, brushed stainless steel effect, RAL
Fixing the profile	Every 200 to 400 mm depending on the requirements of your project.

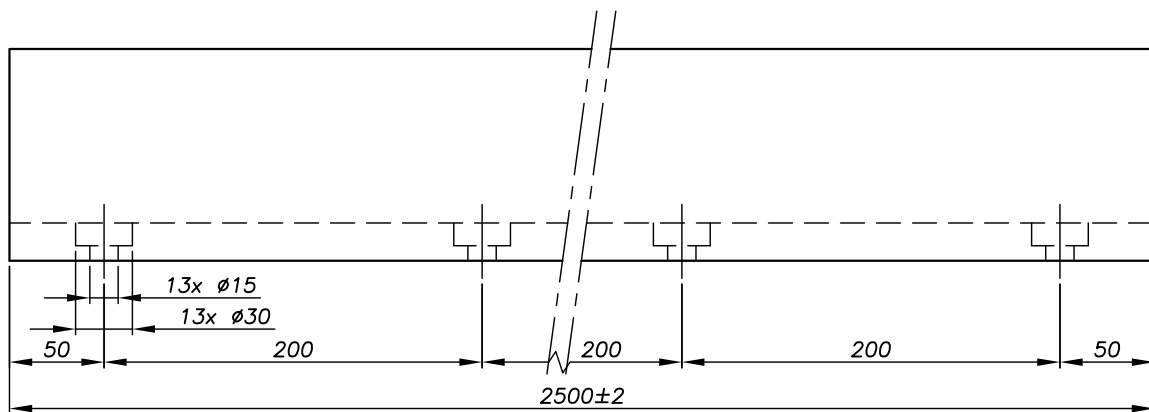


**FOR MORE INFORMATION
ON ANCHORING THE PROFILE:**
see our country performance guide
or the Technical Advice for each profile.

TECHNICAL PLANS

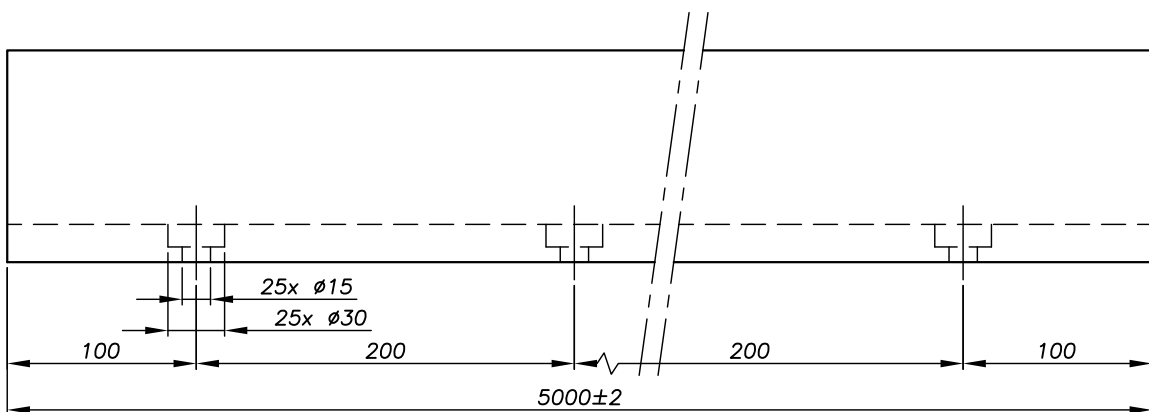
▶ 2 500 mm - Reference 0070RAIL30

▶ 2 500 mm - Undrilled profile - Reference 0070RAIL204



▶ 5 000 mm - Reference 0070RAIL40

▶ 5 000 mm - Undrilled profile - Reference 0070RAIL504



DRAINAGE & EXPANSION

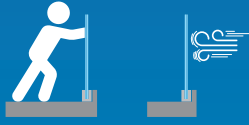
For more details, see [page 50](#)

FLOOR MOUNTING

PERFORMANCE

6 kN

PROFILE 7010



THICKNESS OF GLASS
12 > 25.25 mm



APPLICATION | RESIDENTIAL | PUBLIC |

COMPATIBILITY OF WEDGES
One Side & Double Side



POSSIBLE FINISHES



00
Raw
aluminum



01
Anodized
aluminum

ADJUSTMENT OF GLASS
+ or - 15 mm



TESTED & APPROVED



All the elements compatible with the
7010 PROFILE can be found in this section

WEDGES, CLADDINGS & ACCESSORIES > p.96



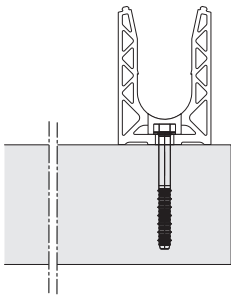
sadev.com



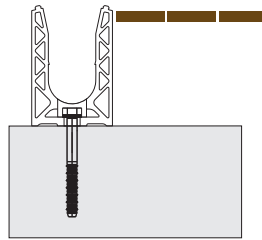
BIM
PRODUCT

► Reference **0070RAIL10**

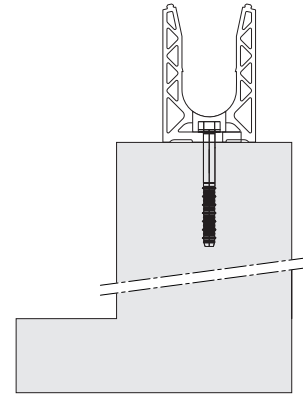
TYPE OF USE



FLOOR MOUNTING

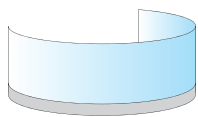


BUILT-IN-SLAB MOUNTING

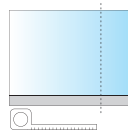


MOUNTING ON ACROTERION

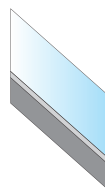
DIFFERENT SPECIFICITIES



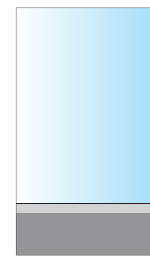
CURVED



MADE TO MEASURE




INCLINE



HIGH LEVEL

TECHNICAL SPECIFICATION AND INTERNATIONAL CERTIFICATION

Solutions tested according to regulations of different countries  can be found in the country performance guide.

FLOOR MOUNTING PROFILE 7010



THICKNESS OF GLASS
12 > 25.25 mm

► Reference **0070RAIL10**

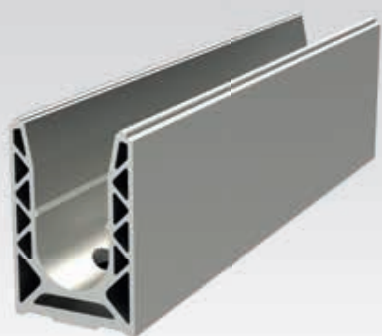
TESTED & APPROVED



HIGH PERFORMANCE
PRODUCT

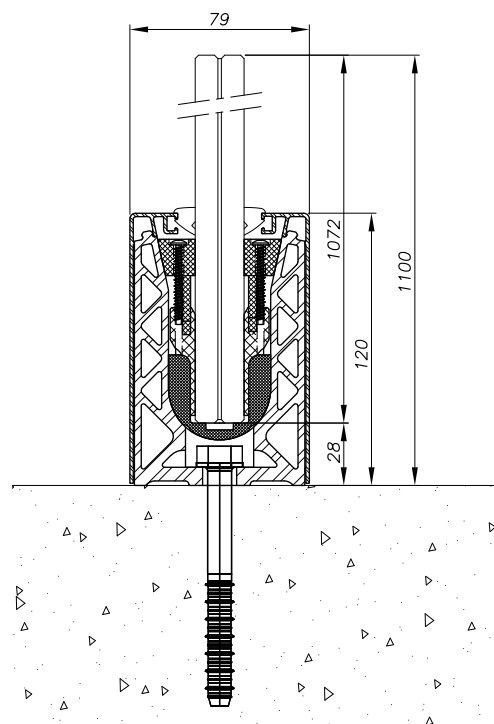
Material and specific
treatment

Flexible and adaptable



TECHNICAL CHARACTERISTICS

Length	2 500 mm / 5 000 mm
Width	75 mm
Height of profile	112 mm
Material	Aluminum
Type of application	Residential / public
Type of mounting	Floor
Thickness of glass	12 > 25.52 mm
Height of guardrail	Standard: 1 500 mm Different height on request
Profile finish	Anodized aluminum, raw
Fixing the profile	From 200 to 800 mm depending on the requirements of your project.

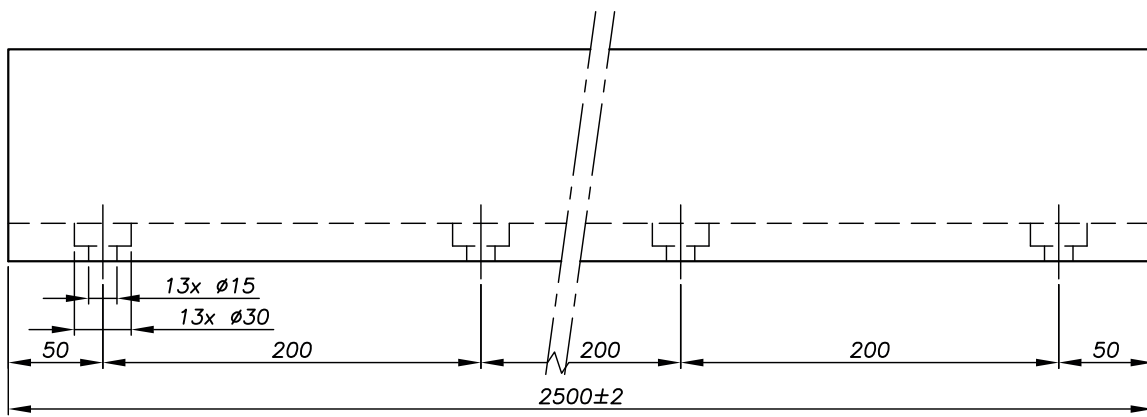


**FOR MORE INFORMATION
ON ANCHORING THE PROFILE:**
see our country performance guide
or the Technical Advice for each profile.

TECHNICAL PLANS

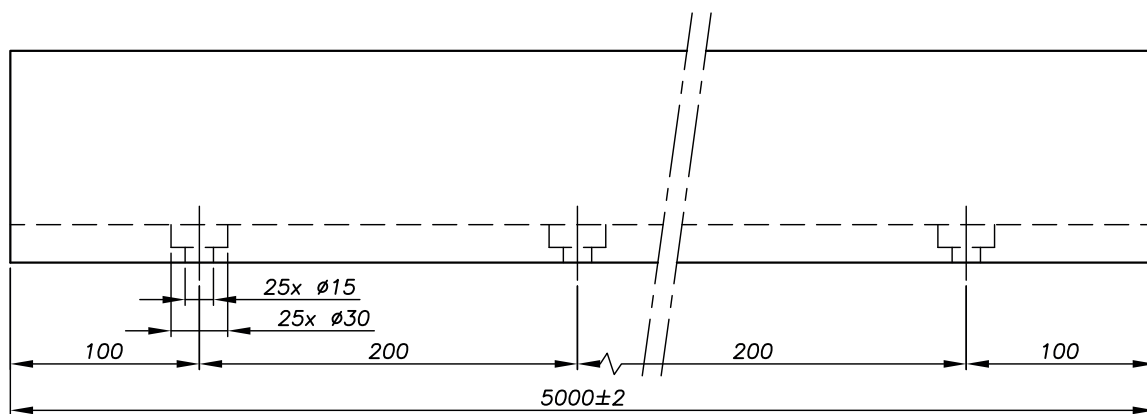
▶ 2 500 mm - Reference 0070RAIL10

▶ 2 500 mm - Undrilled profile - Reference 0070RAIL201



▶ 5 000 mm - Reference 0070RAIL20

▶ 5 000 mm - Undrilled profile - Reference 0070RAIL501



DRAINAGE & EXPANSION

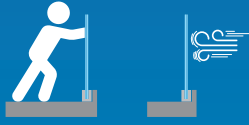
For more details, see [page 50](#)

FLOOR MOUNTING

PERFORMANCE

6 kN

PROFILE 7015



THICKNESS OF GLASS
12 > 25.25 mm



APPLICATION | RESIDENTIAL | PUBLIC |

COMPATIBILITY OF WEDGES
One Side & Double Side



POSSIBLE FINISHES



01
Anodized
aluminum



03
RAL

ADJUSTMENT OF GLASS
+ or - 15 mm



TESTED & APPROVED



All the elements compatible with the
7015 PROFILE can be found in this section

WEDGES, CLADDINGS & ACCESSORIES > p.96



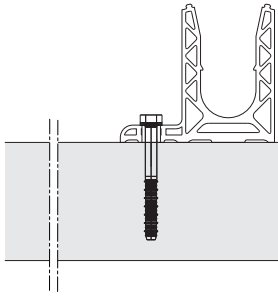
sadev.com



BIM
PRODUCT

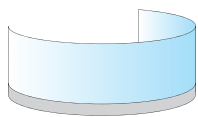
► Reference **0070RAIL15**

TYPE OF USE

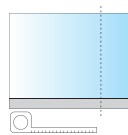


OFFSET FLOOR MOUNTING

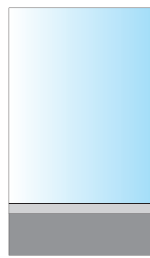
DIFFERENT SPECIFICITIES



CURVED




MADE TO MEASURE



HIGH LEVEL

TECHNICAL SPECIFICATION AND INTERNATIONAL CERTIFICATION

Solutions tested according to regulations of different countries  can be found in the country performance guide.

FLOOR MOUNTING PROFILE 7015



THICKNESS OF GLASS
12 > 25.25 mm

► Reference **0070RAIL15**

TESTED & APPROVED

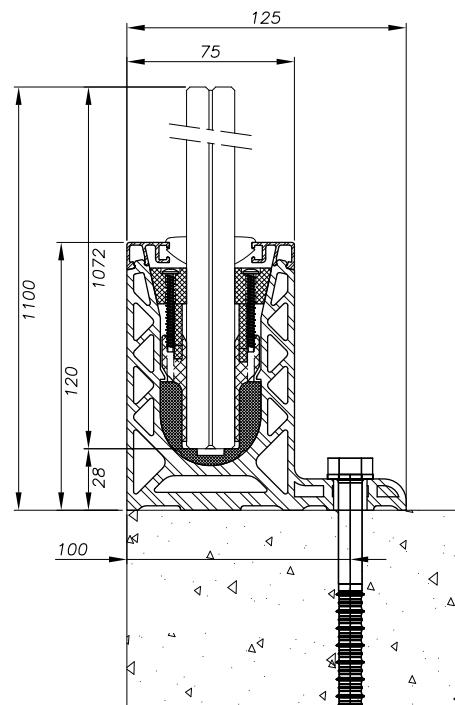


OFFSET PROFILE
High performance



TECHNICAL CHARACTERISTICS

Length	2 500 mm/5 000 mm (on request)
Width	125 mm
Height of profile	112 mm
Material	Aluminum
Type of application	Residential /public
Type of mounting	Offset floor
Thickness of glass	12 > 25.52 mm
Height of guardrail	Standard: 1 500 mm Different height on request
Profile finish	Anodized aluminum , RAL
Fixing the profile	From 200 to 600 mm depending on the requirements of your project.

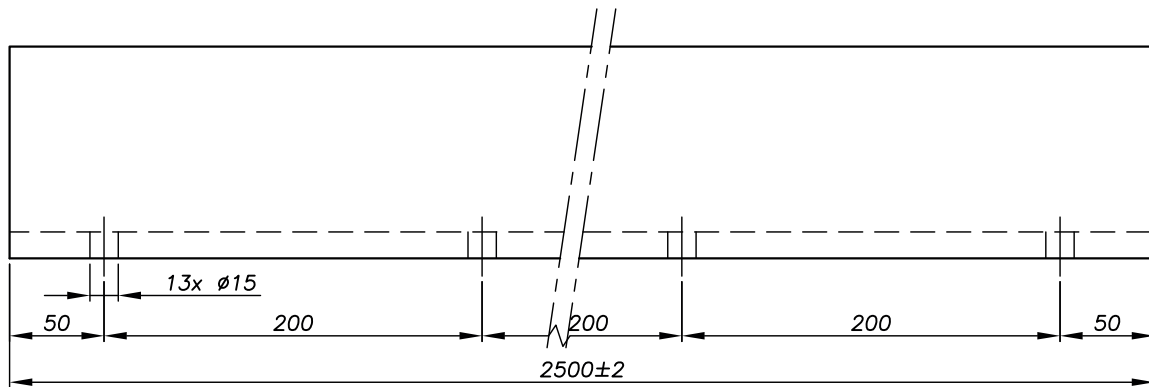


**FOR MORE INFORMATION
ON ANCHORING THE PROFILE:**
see our country performance guide
or the Technical Advice for each profile.

TECHNICAL PLANS

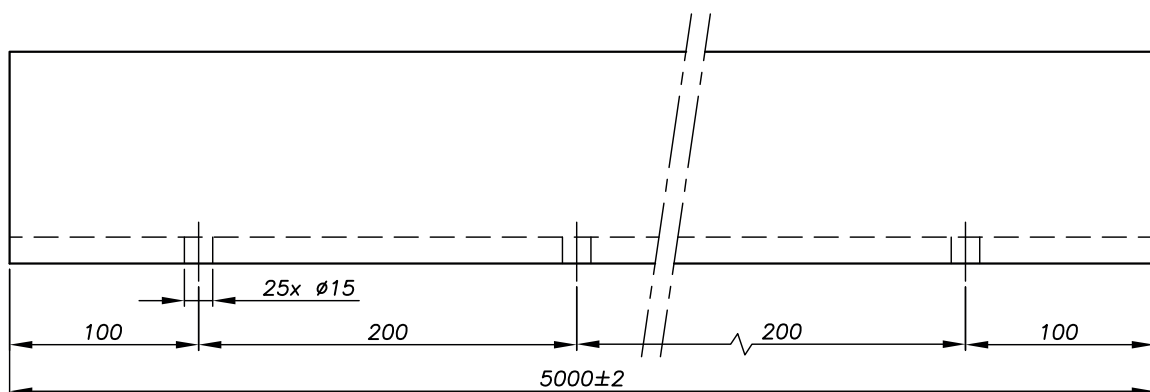
▶ 2 500 mm - Reference 0070RAIL15

▶ 2 500 mm - Undrilled profile - Reference 0070RAIL205



▶ 5 000 mm - Reference 0070RAIL25 (on request)

▶ 5 000 mm - Undrilled profile - Reference 0070RAIL505



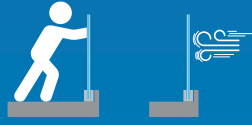
DRAINAGE & EXPANSION

For more details, see **page 50**

FLOOR MOUNTING



PROFILE 7018



THICKNESS OF GLASS
24 > 34 mm



APPLICATION | RESIDENTIAL | PUBLIC | STADIUM

COMPATIBILITY OF WEDGES
Double Side



POSSIBLE FINISHES



ADJUSTMENT OF GLASS
+ or - 15 mm

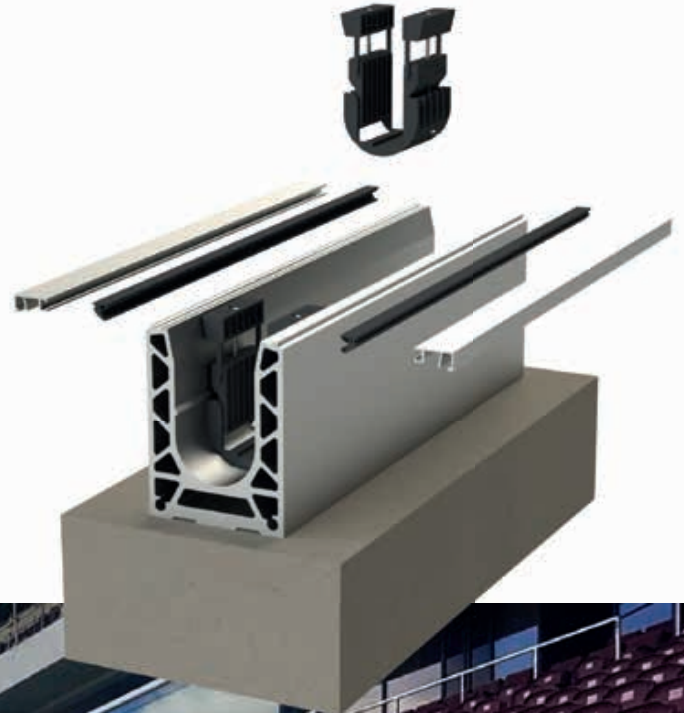


TESTED & APPROVED



All the elements compatible with the **7018 PROFILE** can be found in this section

WEDGES, CLADDINGS & ACCESSORIES > p.96



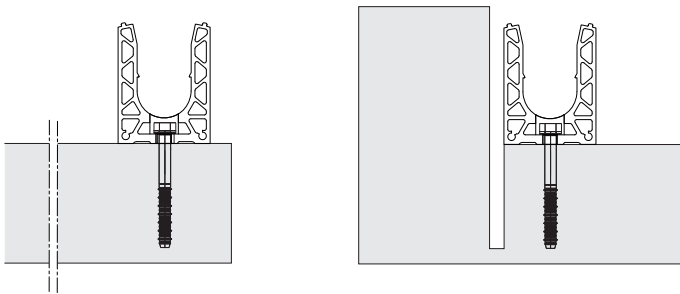
sadev.com



BIM
PRODUCT

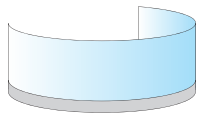
► Reference **0070RAIL18**

TYPE OF USE

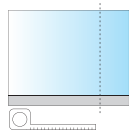


FLOOR MOUNTING

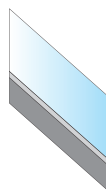
DIFFERENT SPECIFICITIES



CURVED



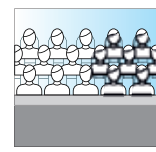
MADE TO MEASURE



INCLINE




HIGH LEVEL



HIGH PERFORMANCE

TECHNICAL SPECIFICATION AND INTERNATIONAL CERTIFICATION

Solutions tested according to regulations of different countries  can be found in the country performance guide.

FLOOR MOUNTING PROFILE 7018



THICKNESS OF GLASS
24 > 34 mm

► Reference **0070RAIL18**

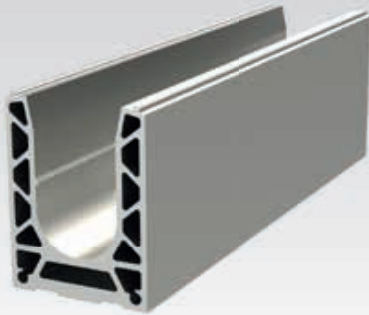
TESTED & APPROVED



HIGH PERFORMANCE

Application stadium C5 / UEFA
In 15.15 PVB

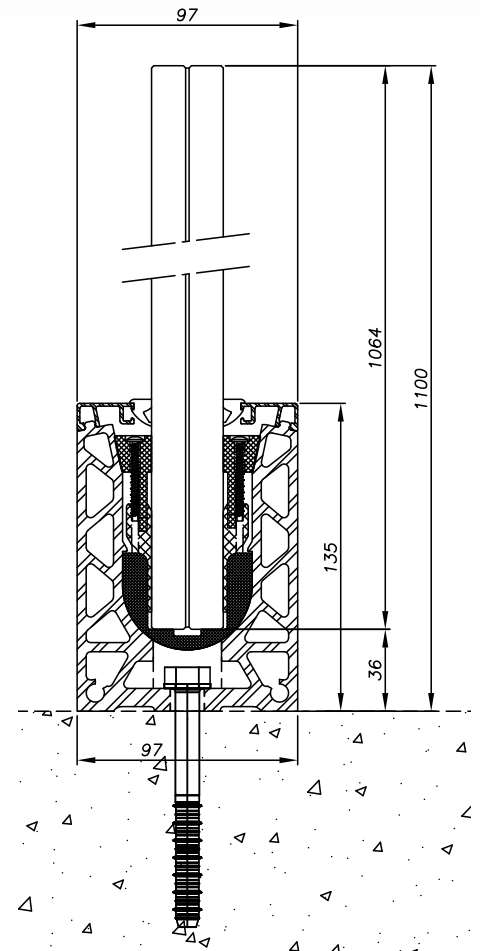
Up to 10.10.10 (tri-fold)



TECHNICAL CHARACTERISTICS

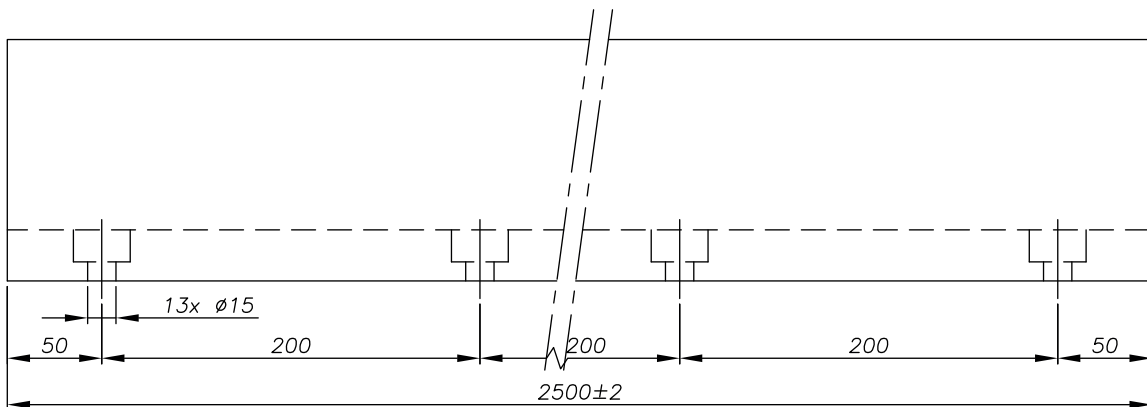
Length	2 500 mm / 5 000 mm (on request)
Width	97 mm
Height of profile	128 mm
Material	Aluminum
Type of application	Residential / public / Stadium
Type of mounting	Floor
Thickness of glass	24 > 34 mm
Height of guardrail	Standard: 2 100 mm Different height on request
Profile finish	Anodized aluminum, raw, RAL
Fixing the profile	From 200 to 400 mm depending on the characteristics of your project.

**FOR MORE INFORMATION
ON ANCHORING THE PROFILE:**
see our country performance guide
or the Technical Advice for each profile.

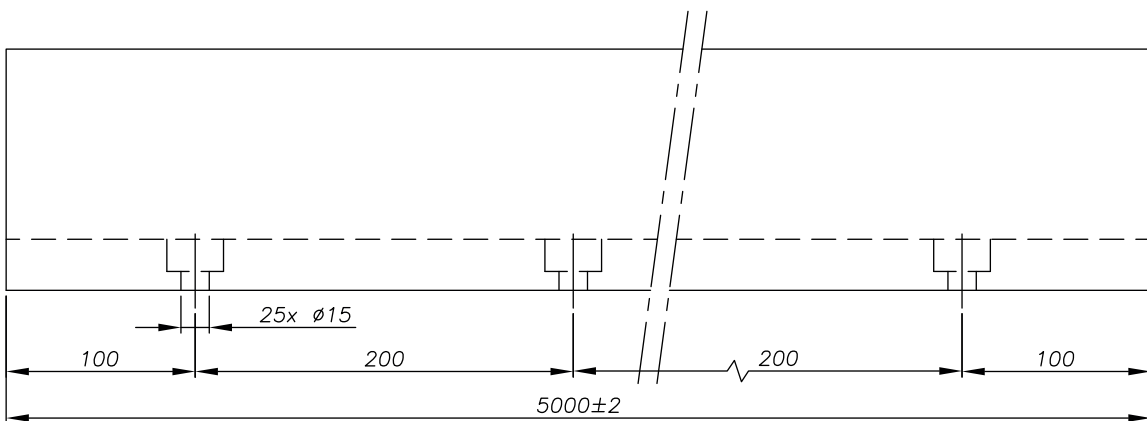


TECHNICAL PLANS

► 2 500 mm - Reference 0070RAIL18



► 5 000 mm - Reference 0070RAIL28 (on request)



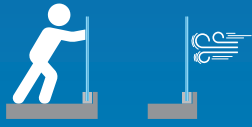
DRAINAGE & EXPANSION

For more details, see **page 50**

FLOOR MOUNTING



PROFILE 7018L



TESTED & APPROVED



All the elements compatible with the **7018L PROFILE** can be found in this section

WEDGES, CLADDINGS & ACCESSORIES > p.96

THICKNESS OF GLASS
24 > 34 mm



APPLICATION | **RESIDENTIAL** | **PUBLIC** |
STADIUM

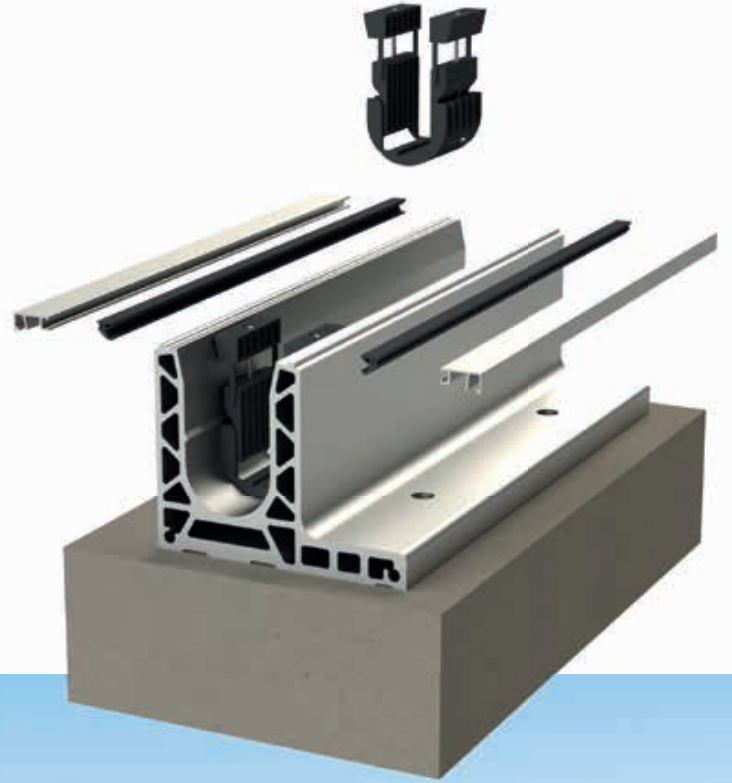
COMPATIBILITY OF WEDGES
Double Side



POSSIBLE FINISHES



ADJUSTMENT OF GLASS
+ or - 15 mm



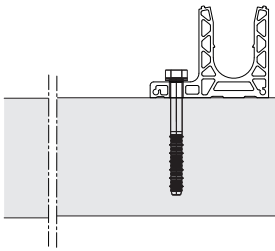
sadev.com



BIM
PRODUCT

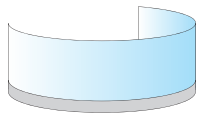
► Reference **0070RAIL18L**

TYPE OF USE

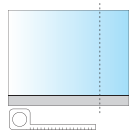


OFFSET FLOOR MOUNTING

DIFFERENT SPECIFICITIES



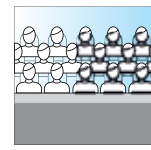
CURVED



MADE TO MEASURE




HIGH LEVEL



HIGH PERFORMANCE

TECHNICAL SPECIFICATION AND INTERNATIONAL CERTIFICATION

Solutions tested according to regulations of different countries  can be found in the country performance guide.

FLOOR MOUNTING PROFILE 7018L



THICKNESS OF GLASS
24 > 34 mm

► Reference **0070RAIL18L**

TESTED & APPROVED



STADIUM
APPLICATION

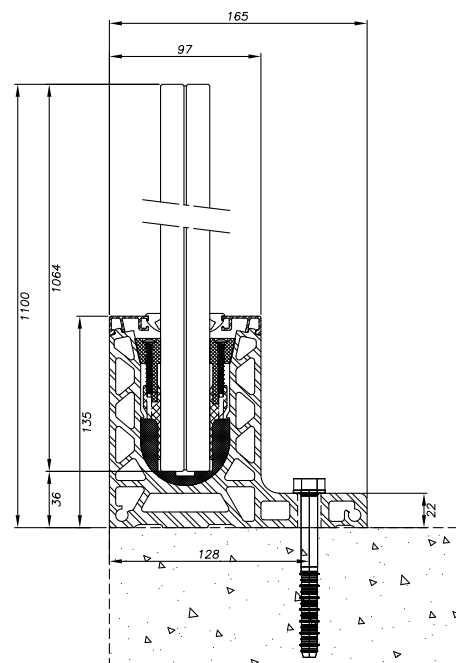
Special slab edge

Up to 10.10.10 (tri-fold)



TECHNICAL CHARACTERISTICS

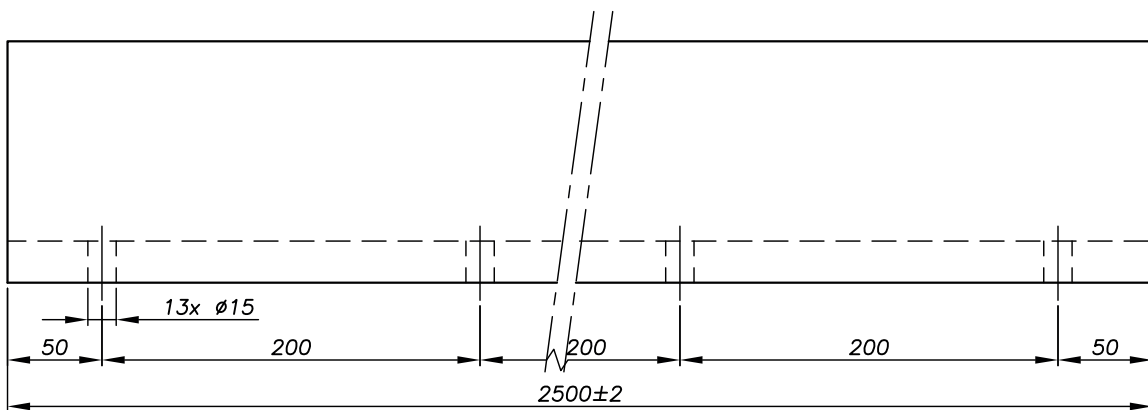
Length	2 500 mm / 5 000 mm (on request)
Width	165 mm
Height of profile	128 mm
Material	Aluminum
Type of application	Residential / public / Stadium
Type of mounting	Offset floor
Thickness of glass	24 > 34 mm
Height of guardrail	Standard: 2 100 mm
Profile finish	Anodized aluminum ,raw, RAL
Fixing the profile	From 200 to 400 mm depending on the characteristics of your project.



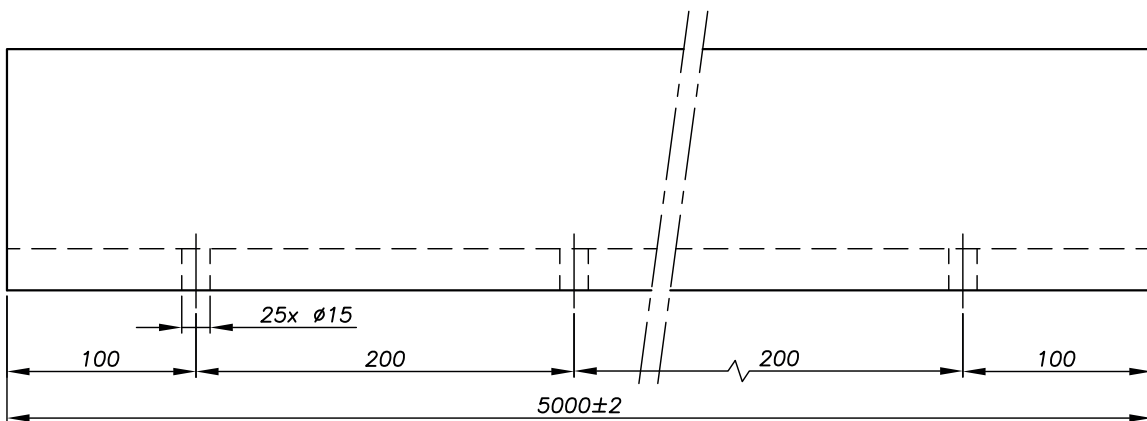
**FOR MORE INFORMATION
ON ANCHORING THE PROFILE:**
see our country performance guide
or the Technical Advice for each profile.

TECHNICAL PLANS

► 2 500 mm - Reference **0070RAIL18L**



► 5 000 mm - Reference **0070RAIL28L (on request)**



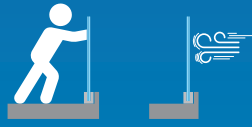
DRAINAGE & EXPANSION

For more details, see **page 50**

FLOOR MOUNTING



PROFILE 7019



TESTED & APPROVED



All the elements compatible with the **7019 PROFILE** can be found in this section

WEDGES, CLADDINGS & ACCESSORIES > p.96

THICKNESS OF GLASS
12 > 25.52 mm



APPLICATION | **RESIDENTIAL** | **PUBLIC** |
STADIUM

COMPATIBILITY OF WEDGES
One Side & Double Side



POSSIBLE FINISHES



00
Raw
aluminum



01
Anodized
aluminum

ADJUSTMENT OF GLASS
+ or - 15 mm



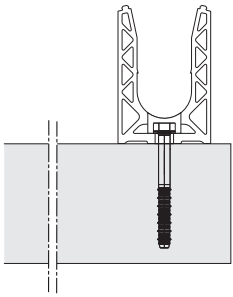
sadev.com



BIM
PRODUCT

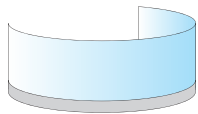
► Reference **0070RAIL19**

TYPE OF USE

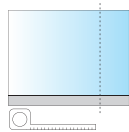


FLOOR MOUNTING

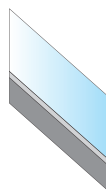
DIFFERENT SPECIFICITIES



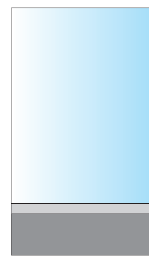
CURVED



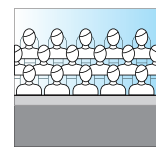
MADE TO MEASURE



INCLINE




HIGH LEVEL



HIGH PERFORMANCE

TECHNICAL SPECIFICATION AND INTERNATIONAL CERTIFICATION

Solutions tested according to regulations of different countries  can be found in the country performance guide.

FLOOR MOUNTING PROFILE 7019



THICKNESS OF GLASS
12 > 25.25 mm

► Reference **0070RAIL19**

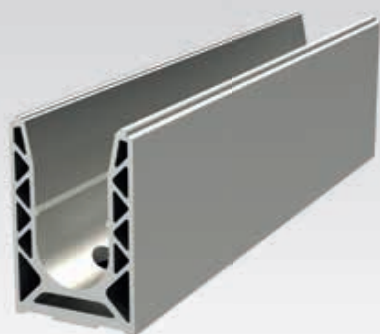
TESTED & APPROVED



HIGH
PERFORMANCE

Application **STADIUM
C5 / UEFA**

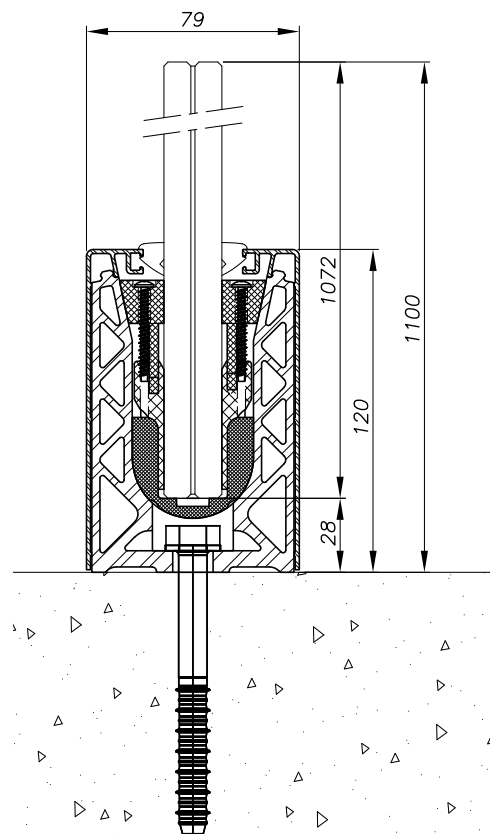
In 12.12 SGP



TECHNICAL CHARACTERISTICS

Length	2 500 mm / 5 000 mm
Width	75 mm
Height of profile	112 mm
Material	Aluminum
Type of application	Residential / public / Stadium
Type of mounting	Floor
Thickness of glass	12 > 25.52 mm
Height of guardrail	Standard: 2 100 mm
Profile finish	Anodized aluminum ,raw
Fixing the profile	Every 150 mm

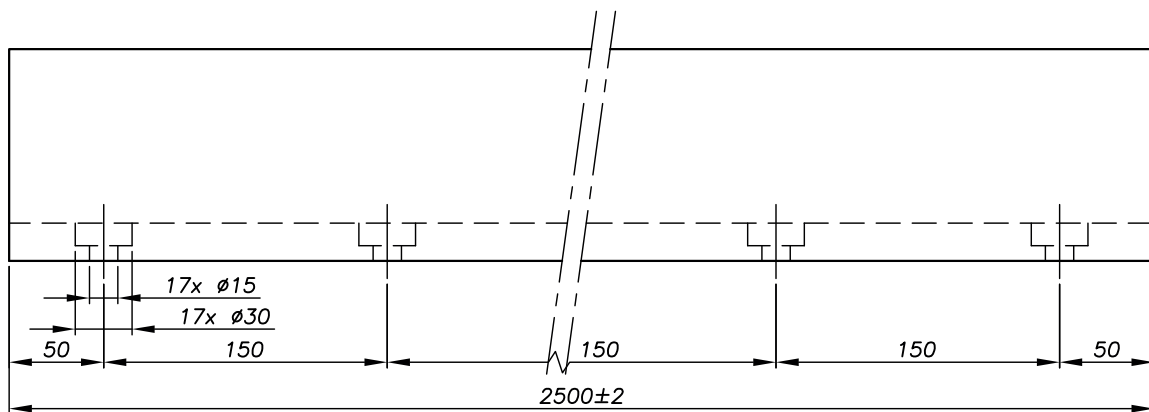
**FOR MORE INFORMATION
ON ANCHORING THE PROFILE:**
see our country performance guide
or the Technical Advice for each profile.



TECHNICAL PLANS

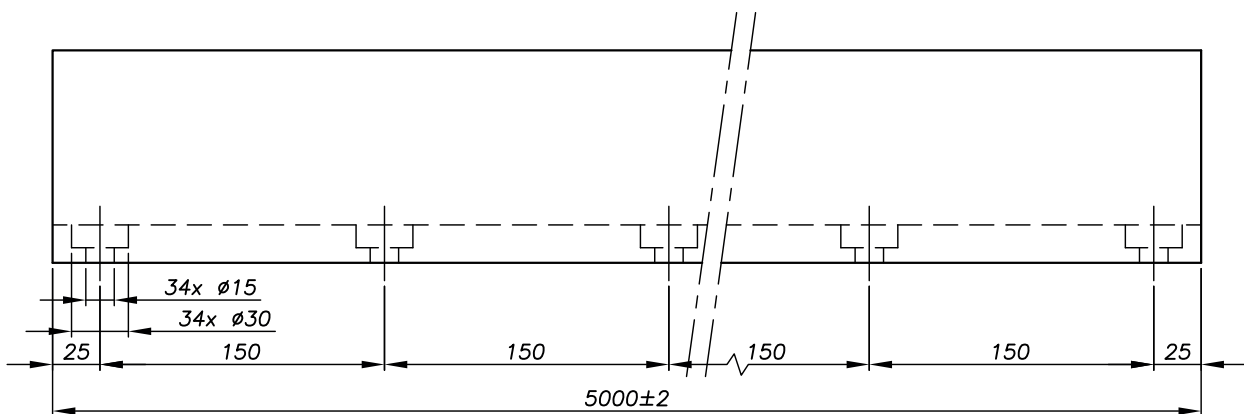
▶ 2 500 mm - Reference 0070RAIL19

▶ 2 500 mm - Undrilled profile - Reference 0070RAIL209



▶ 5 000 mm - Reference 0070RAIL29

▶ 5 000 mm - Undrilled profile - Reference 0070RAIL509



DRAINAGE & EXPANSION

For more details, see [page 50](#)

INSTRUCTIONS FOR ASSEMBLY

ONE SIDE WEDGE



INSTRUCTIONS BEFORE INSTALLATION

Drill the support using a tool suitable for the substrate.

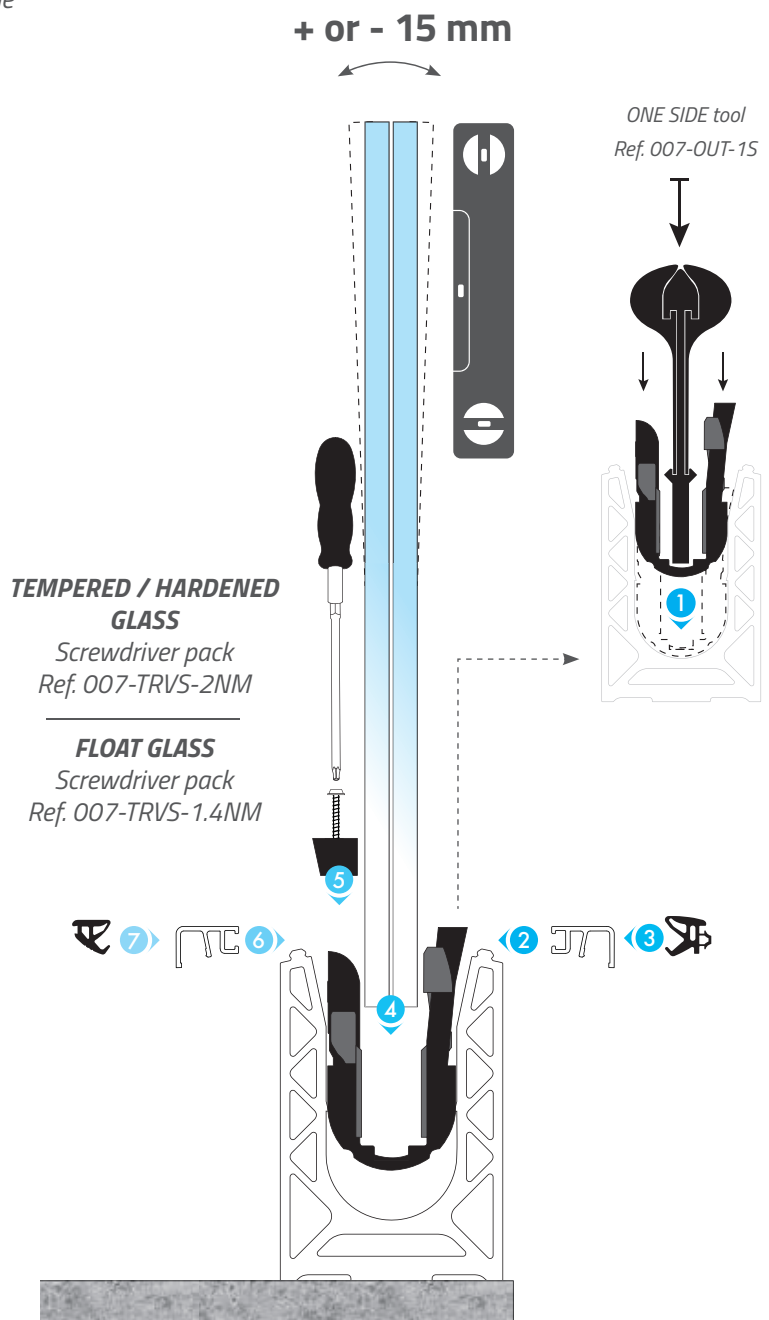
If the substrate is uneven, level the profile by adding our Sadev wedging set.

Adjust and fix the rail to the fixing points using the appropriate wrench.

- 1 Apply pressure to the tool **ONE SIDE** to insert the wedges into the rail.
- 2 Clip on the exterior cladding.
- 3 Clip on the exterior seal.
- 4 Insert the glass and adjust to plumb using the level.
- 5 Insert and screw on the top wedge.
- 6 Clip on the cladding.
- 7 Insert the press-in gasket.

Glue the end cap to the end of the rail.

 **INSTALLATION INSTRUCTIONS**
www.sadev.com/downloads



DOUBLE SIDE WEDGE



INSTRUCTIONS BEFORE INSTALLATION

Drill the support using a tool suitable for the substrate.

If the substrate is uneven, level the profile by adding our Sadev wedging set.

Adjust and fix the rail to the fixing points using the appropriate wrench.

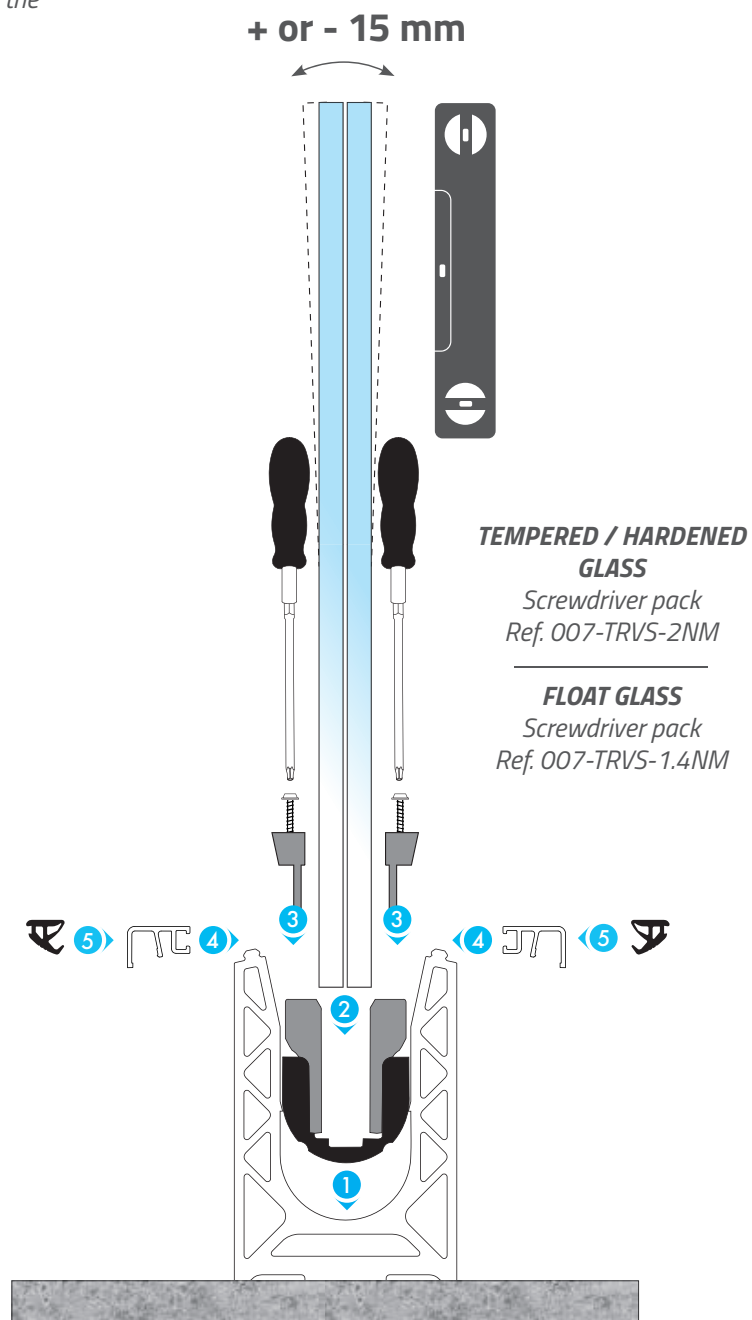
- 1 Install the wedges in the rail.
- 2 Insert the glass and adjust to plumb using the level.
- 3 Insert and screw in the top wedges.
- 4 Clip on the claddings.
- 5 Insert the press-in gasket.

Glue the end cap to the end of the rail.



INSTALLATION INSTRUCTIONS

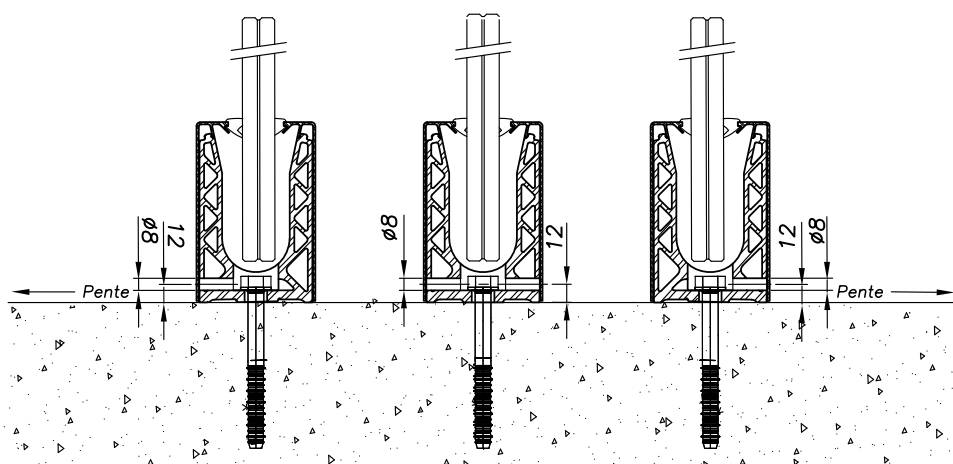
www.sadev.com/downloads



DRAINAGE & EXPANSION

DRAINAGE

Drainage in the SABCO guardrail is achieved by drilling the aluminum profile and/or the finishing cladding according to the diagrams below. As the rail must be set in a straight line (without distortion), the water drains naturally from both sides of the rail. Depending on the situation, holes with a diameter of 8 mm can be drilled on site in the plug and/or in the profile for water drainage.



EXPANSION

Taking account of expansion to ensure performance of the profiles.

		Aluminum				
2 500 mm		Maximum profile temperature				
		40°C/104°F	50°C/122°F	60°C/140°F	70°C/158°F	80°C/176°F
Profile temperature during installation	-20°C/-4°F	4 mm	4 mm	5 mm	5 mm	6 mm
	-10°C/-14°F	3 mm	4 mm	4 mm	5 mm	5 mm
	0°C/32°F	3 mm	3 mm	4 mm	4 mm	5 mm
	10°C/50°F	2 mm	3 mm	3 mm	4 mm	4 mm
	20°C/68°F	1 mm	2 mm	3 mm	3 mm	4 mm
	30°C/86°F	1 mm	1 mm	2 mm	3 mm	3 mm
5 000 mm		Maximum profile temperature				
		40°C/104°F	50°C/122°F	60°C/140°F	70°C/158°F	80°C/176°F
Profile temperature during installation	-20°C/-4°F	7 mm	8 mm	9 mm	11 mm	12 mm
	-10°C/-14°F	6 mm	7 mm	8 mm	9 mm	11 mm
	0°C/32°F	5 mm	6 mm	7 mm	8 mm	9 mm
	10°C/50°F	4 mm	5 mm	6 mm	7 mm	8 mm
	20°C/68°F	3 mm	4 mm	5 mm	6 mm	7 mm
	30°C/86°F	1 mm	3 mm	4 mm	5 mm	6 mm

➤ Got any questions?

Contact us on +33 (0)4 50 08 39 00 or on our website

📖 **INSTALLATION INSTRUCTIONS:** www.sadev.com/downloads

SPAIN

VIALIA SHOPPING CENTRE

PUBLIC APPLICATION

PROFILE 7030

Performance: 3 kN

Thickness of glass: 12 > 25.52 mm

Mounting: floor

VIGO EXPORTA

FRANCE

GRAND MONTOIR ESTATE

PRIVATE APPLICATION



PROFIL **7031**

Performance: 3 kN

Thickness of glass: 12 > 25.52 mm

Mounting: lateral

PROFILE TABLE



**TESTED &
APPROVED**



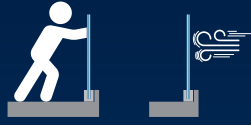
LATERAL
MOUNTING

See the page corresponding for each profile to obtain the technical specifications.

	Performance	Tested & approved	Part number	Type of mounting	Thickness of glass	Page
	▼	✓	7031 0070RAIL31	Lateral	12 > 25.52 mm	54
		✓	7031R 0070RAIL31R	Lateral reversed	12 > 25.52 mm	58
		✓	7011 0070RAIL11	Lateral	12 > 25.52 mm	62
		✓	7011R 0070RAIL11R	Lateral reversed	12 > 25.52 mm	66
			✓	7013 0070RAIL13	Lateral offset fixing	12 > 25.52 mm
	—		7013D 0070RAIL13D	Lateral offset double fixing	12 > 25.52 mm	74

LATERAL MOUNTING

PROFILE 7031



TESTED & APPROVED



You will find all the elements compatible with the **7031 PROFILE** in this section

WEDGES, CLADDINGS & ACCESSORIES > p.96

THICKNESS OF GLASS
12 > 25.52 mm



APPLICATION | **RESIDENTIAL** | **PUBLIC** |

COMPATIBILITY OF WEDGES
One Side & Double Side



POSSIBLE FINISHES



01
Anodized aluminum



02
Brushed stainless steel effect



03
RAL

ADJUSTMENT OF GLASS
+ or - 15 mm



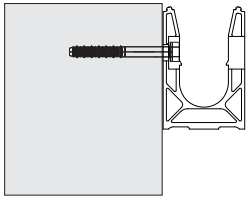
sadev.com



BIM
PRODUCT

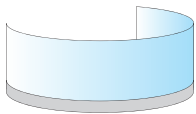
► Reference **0070RAIL31**

TYPE OF USE

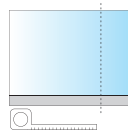


LATERAL MOUNTING

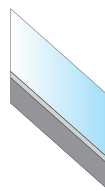
DIFFERENT SPECIFICITIES



CURVED




MADE TO MEASURE



RAMPED

TECHNICAL SPECIFICATION AND INTERNATIONAL CERTIFICATION

Solutions tested according to regulations of different countries  can be found in the country performance guide.

LATERAL MOUNTING PROFILE 7031



THICKNESS OF GLASS
12 > 25.52 mm

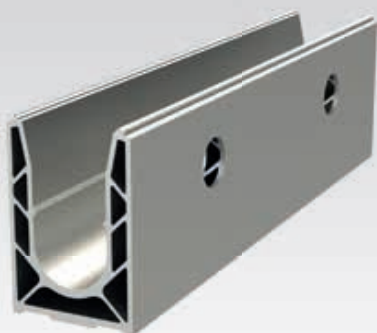
► Reference **0070RAIL31**

TESTED & APPROVED



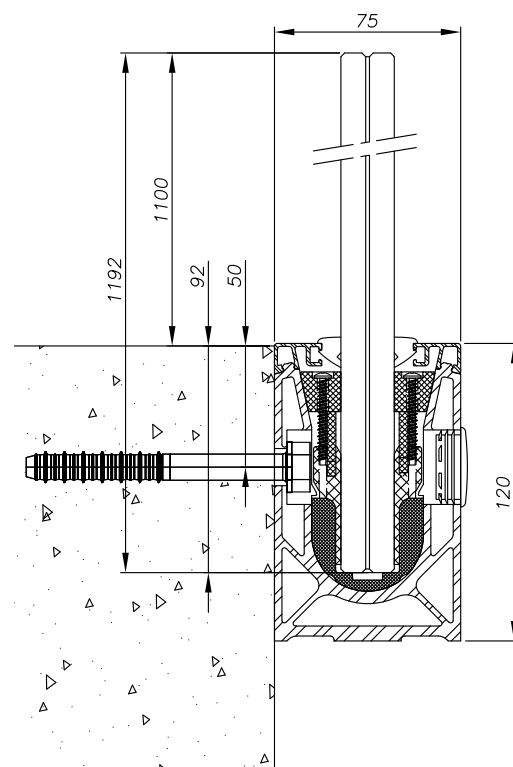
LESS COSTLY

Use plugs for
a perfect finish



TECHNICAL CHARACTERISTICS

Length	2 500 mm / 5 000 mm
Width	75 mm
Height of profile	112 mm
Material	Aluminum
Type of application	Private/public
Type of mounting	Lateral
Thickness of glass	12 > 25.52 mm
Height of railing	1 100 mm
Profile finish	Anodized aluminum, brushed stainless steel effect, RAL
Fixing of profile	Every 200 mm according to the characteristics of your project.

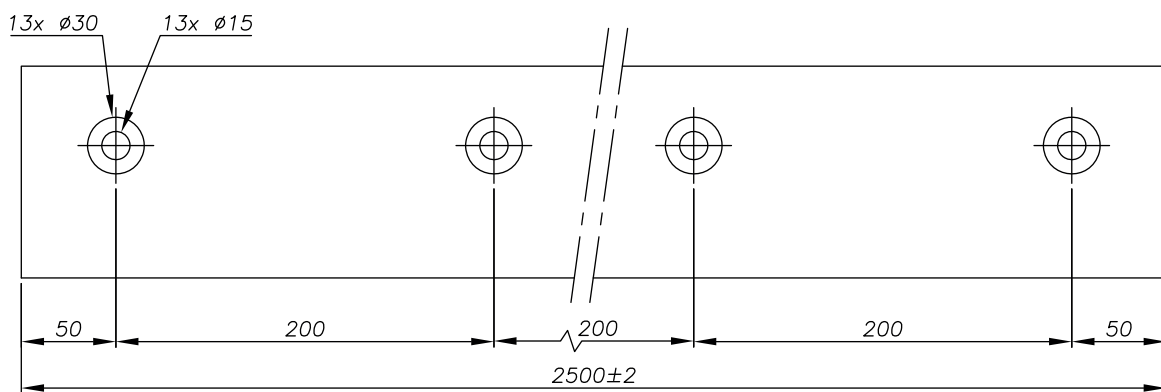


**FOR MORE INFORMATION
ON ANCHORING THE PROFILE:**
see our country performance guide
or the Technical Advice for each profile.

TECHNICAL PLANS

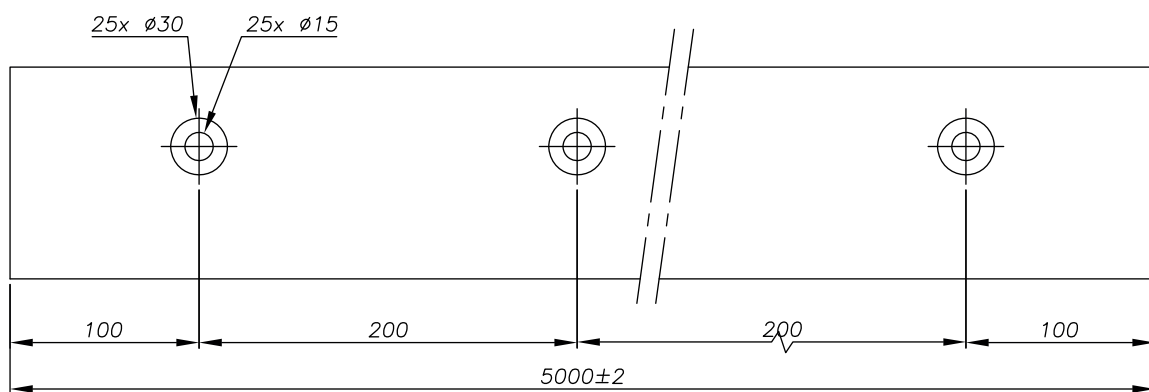
► **2 500 mm - Reference 0070RAIL31**

► **2 500 mm - Undrilled profile - Reference 0070RAIL204**



► **5 000 mm - Reference 0070RAIL41**

► **5 000 mm - Undrilled profile - Reference 0070RAIL504**

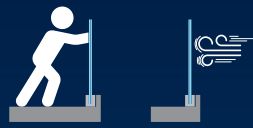


DRAINAGE & EXPANSION

For more details, see **page 80**.

LATERAL MOUNTING

PROFILE 7031R



THICKNESS OF GLASS
12 > 25.52 mm



APPLICATION | RESIDENTIAL | PUBLIC |

COMPATIBILITY OF WEDGES
One Side & Double Side



POSSIBLE FINISHES



01
Anodized
aluminum



02
Brushed
stainless
steel effect



03
RAL

ADJUSTMENT OF GLASS
+ or - 15 mm

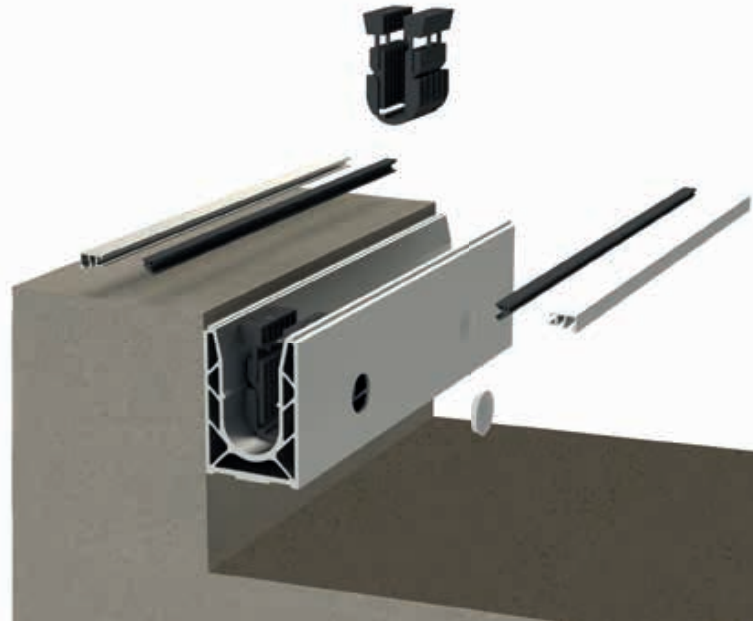


TESTED & APPROVED



You will find all the elements compatible with the **7031R PROFILE** in this section

WEDGES, CLADDINGS & ACCESSORIES > p.96



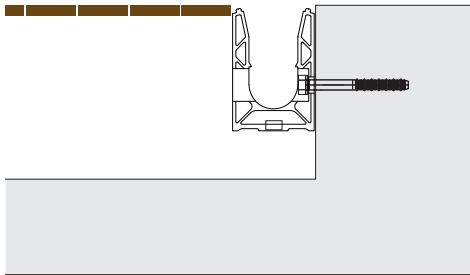
sadev.com



BIM
PRODUCT

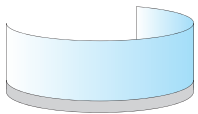
► Reference **0070RAIL31R**

TYPE OF USE

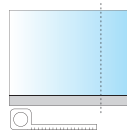


LATERAL MOUNTING

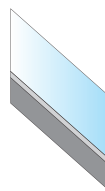
DIFFERENT SPECIFICITIES



CURVED




MADE TO MEASURE



RAMPED

TECHNICAL SPECIFICATION AND INTERNATIONAL CERTIFICATION

Solutions tested according to regulations of different countries  can be found in the country performance guide.

LATERAL MOUNTING PROFILE 7031R



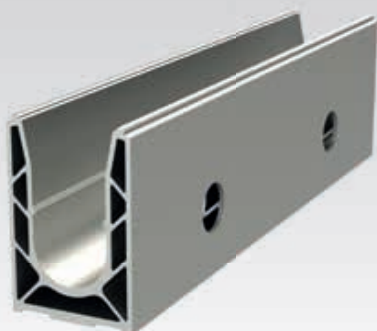
THICKNESS OF GLASS
12 > 25.52 mm

► Reference 0070RAIL31R

TESTED & APPROVED

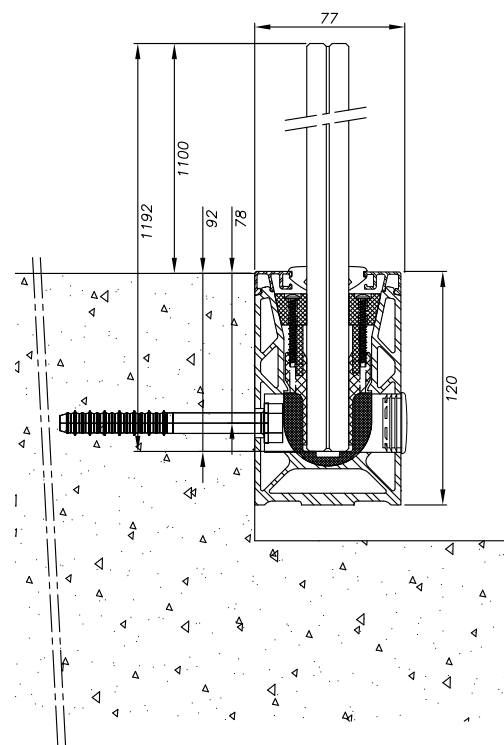


DEDICATED PROFILE
Interior of acroter



TECHNICAL CHARACTERISTICS

Length	2 500 mm / 5 000 mm
Width	75 mm
Height of profile	112 mm
Material	Aluminum
Type of application	Private/public
Type of mounting	Lateral reversed
Thickness of glass	12 > 25.52 mm
Height of railing	1 100 mm
Profile finish	Anodized aluminum, brushed stainless steel effect, RAL
Fixing of profile	Every 200 mm according to the characteristics of your project.

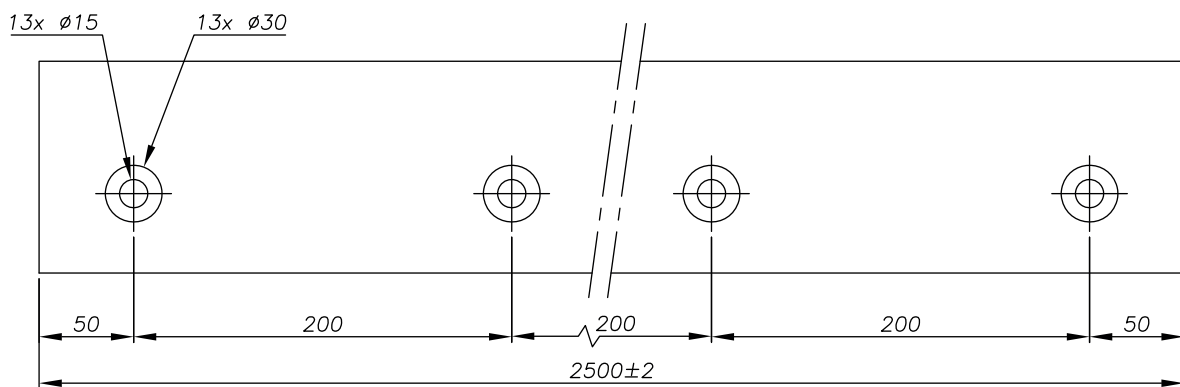


**FOR MORE INFORMATION
ON ANCHORING THE PROFILE:**
see our country performance guide
or the Technical Advice for each profile.

TECHNICAL PLANS

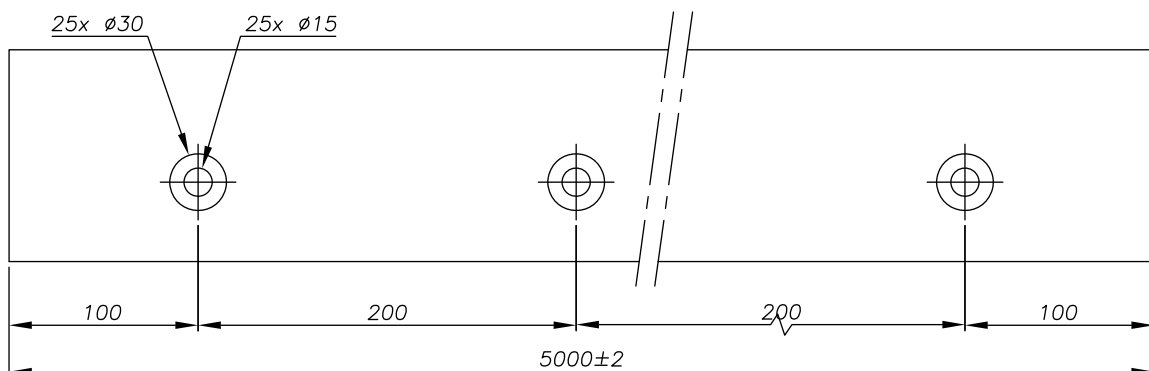
► 2 500 mm - Reference 0070RAIL31R

► 2 500 mm - Undrilled profile - Reference 0070RAIL204



► 5 000 mm - Reference 0070RAIL41R

► 5 000 mm - Undrilled profile - Reference 0070RAIL504

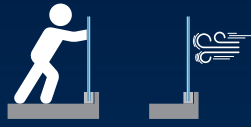


DRAINAGE & EXPANSION

For more details, see **page 80**.

LATERAL MOUNTING

PROFILE 7011



THICKNESS OF GLASS
12 > 25.52 mm



APPLICATION | RESIDENTIAL | PUBLIC |

COMPATIBILITY OF WEDGES
One Side & Double Side



POSSIBLE FINISHES



00
Raw



01
Anodized
aluminum

ADJUSTMENT OF GLASS
+ or - 15 mm



TESTED & APPROVED



You will find all the elements compatible with the **7011 PROFILE** in this section

WEDGES, CLADDINGS & ACCESSORIES > p.96



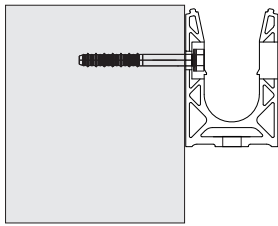
sadev.com



BIM
PRODUCT

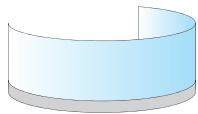
► Reference **0070RAIL11**

TYPE OF USE

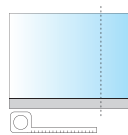


LATERAL MOUNTING

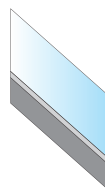
DIFFERENT SPECIFICITIES



CURVED



MADE TO MEASURE




RAMPED



HIGH LEVEL

TECHNICAL SPECIFICATION AND INTERNATIONAL CERTIFICATION

Solutions tested according to regulations of different countries  can be found in the country performance guide.

LATERAL MOUNTING PROFILE 7011



THICKNESS OF GLASS
12 > 25.52 mm

► Reference **0070RAIL11**

TESTED & APPROVED



HIGH PERFORMANCE
PRODUCT

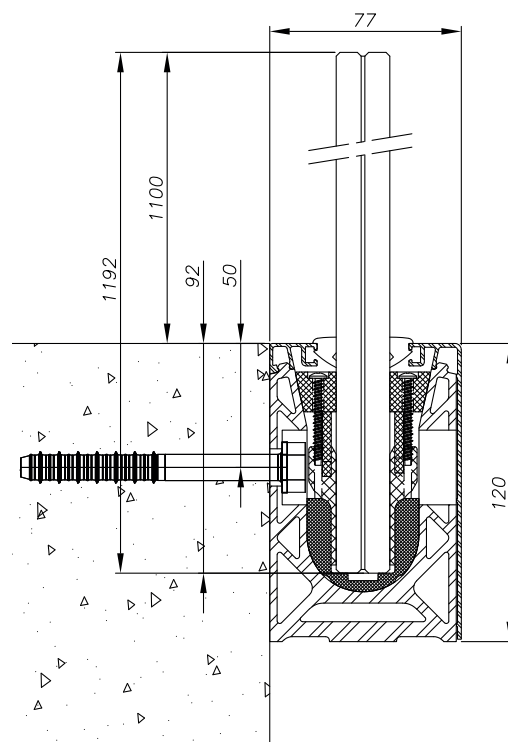
**Material and specific
treatment**

Flexible and adaptable



TECHNICAL CHARACTERISTICS

Length	2 500 mm / 5 000 mm
Width	75 mm
Height of profile	112 mm
Material	Aluminum
Type of application	Private/public
Type of mounting	Lateral
Thickness of glass	12 > 25.52 mm
Height of railing	Standard: 1 100 mm
Profile finish	Anodized aluminum, raw
Fixing of profile	Every 200 mm according to the requirements of your project.

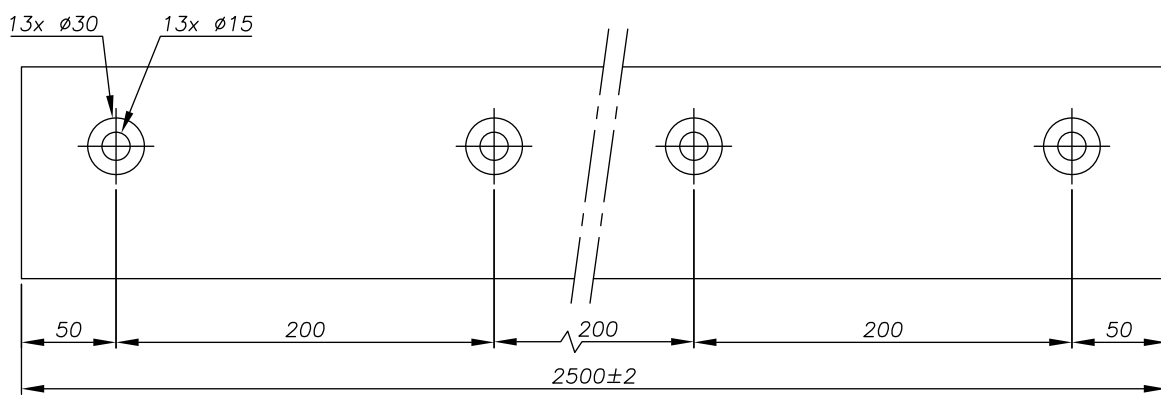


**FOR MORE INFORMATION
ON ANCHORING THE PROFILE:**
see our country performance guide
or the Technical Advice for each profile.

TECHNICAL PLANS

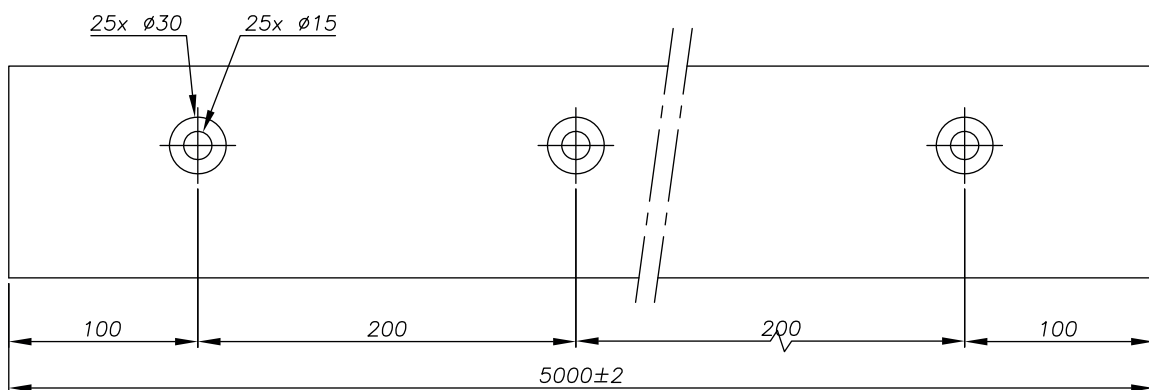
► 2 500 mm - Reference **0070RAIL11**

► 2 500 mm - Undrilled profile - Reference **0070RAIL201**



► 5 000 mm - Reference **0070RAIL21**

► 5 000 mm - Undrilled profile - Reference **0070RAIL501**

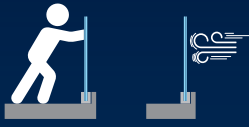


DRAINAGE & EXPANSION

For more details, see **page 80**.

LATERAL MOUNTING

PROFILE 7011R



THICKNESS OF GLASS
12 > 25.52 mm



APPLICATION | RESIDENTIAL | PUBLIC |

COMPATIBILITY OF WEDGES
One Side & Double Side



POSSIBLE FINISHES



00
Raw



01
Anodized
aluminum

ADJUSTMENT OF GLASS
+ or - 15 mm

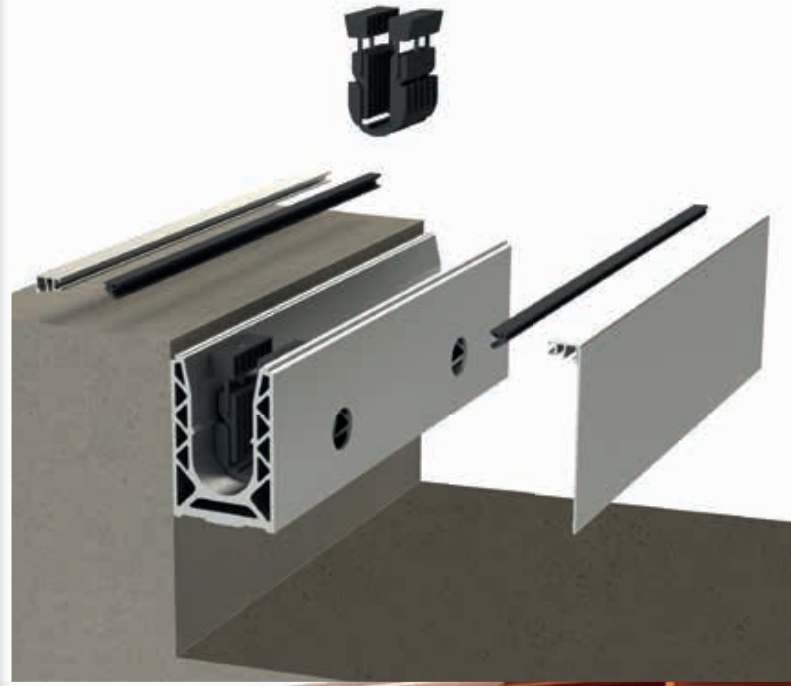


TESTED & APPROVED



You will find all the elements compatible with the **7011R PROFILE** in this section

WEDGES, CLADDINGS & ACCESSORIES > p.96



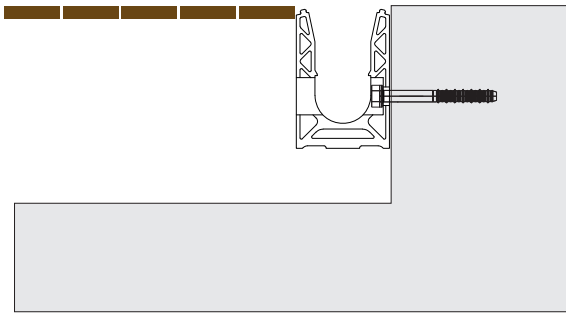
sadev.com



BIM
PRODUCT

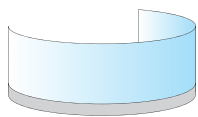
► Reference **0070RAIL11R**

TYPE OF USE

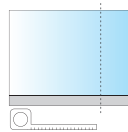


LATERAL MOUNTING

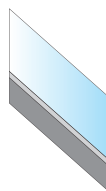
DIFFERENT SPECIFICITIES



CURVED



MADE TO MEASURE




RAMPED



HIGH LEVEL

TECHNICAL SPECIFICATION AND INTERNATIONAL CERTIFICATION

Solutions tested according to regulations of different countries  can be found in the country performance guide.

LATERAL MOUNTING PROFILE 7011R



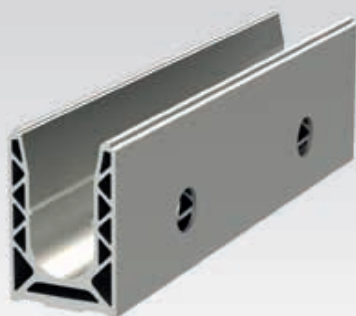
THICKNESS OF GLASS
12 > 25.52 mm

► Reference 0070RAIL11R

TESTED & APPROVED

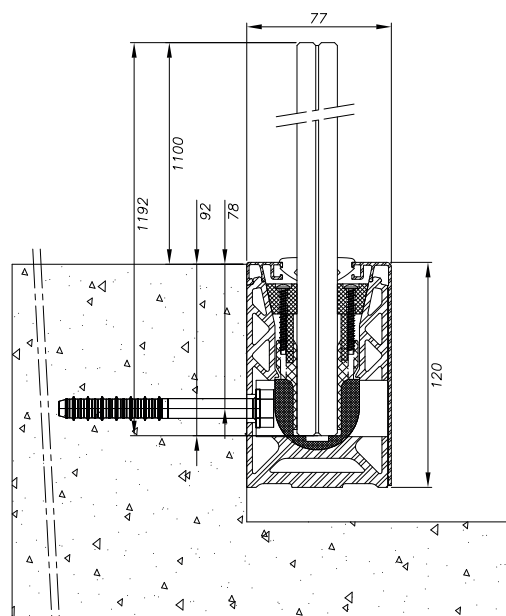


PERFECT
in cases with
waterproofing layer



TECHNICAL CHARACTERISTICS

Length	2 500 mm / 5 000 mm
Width	75 mm
Height of profile	112 mm
Material	Aluminum
Type of application	Private/public
Type of mounting	Lateral reversed
Thickness of glass	12 > 25.52 mm
Height of railing	Standard: 1 100 mm
Profile finish	Anodized aluminum, raw
Fixing of profile	Every 200 mm according to the requirements of your project.

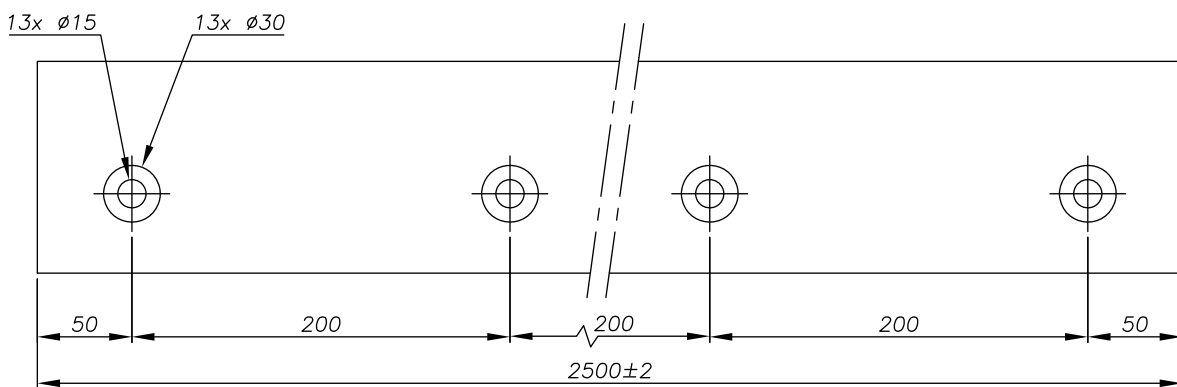


**FOR MORE INFORMATION
ON ANCHORING THE PROFILE:**
see our country performance guide
or the Technical Advice for each profile.

TECHNICAL PLANS

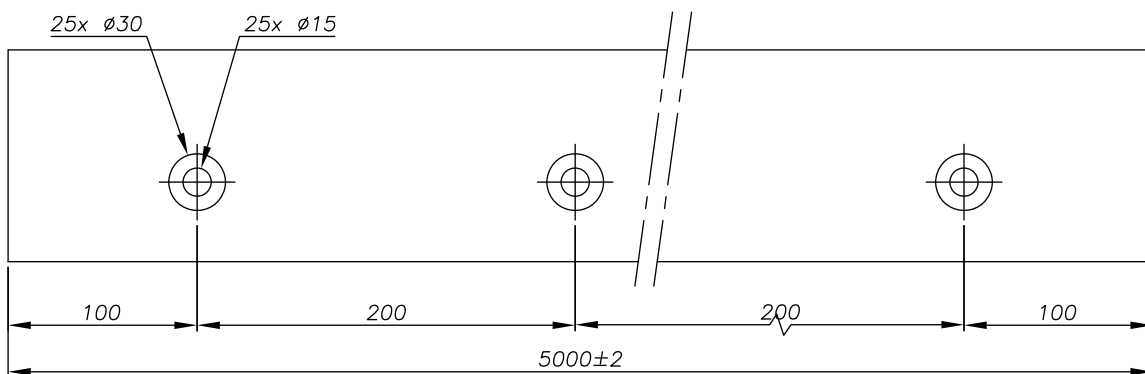
► 2 500 mm - Reference **0070RAIL11R**

► 2 500 mm - Undrilled profile - Reference **0070RAIL201**



► 5 000 mm - Reference **0070RAIL21R**

► 5 000 mm - Undrilled profile - Reference **0070RAIL501**

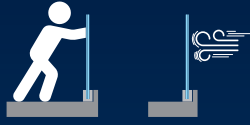


DRAINAGE & EXPANSION

For more details, see **page 80**.

LATERAL MOUNTING

PROFILE 7013



THICKNESS OF GLASS
12 > 25.52 mm



APPLICATION | RESIDENTIAL | PUBLIC |

COMPATIBILITY OF WEDGES
One Side & Double Side



POSSIBLE FINISHES



00
Raw



01
Anodized
aluminum

ADJUSTMENT OF GLASS
+ or - 15 mm



TESTED & APPROVED



You will find all the elements compatible with the **7013 PROFILE** in this section

WEDGES, CLADDINGS & ACCESSORIES > p.96



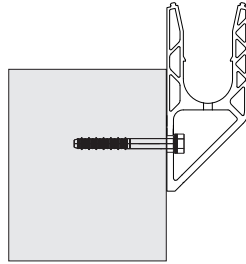
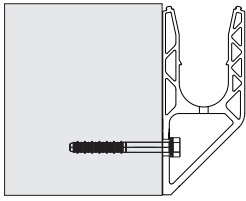
sadev.com



BIM
PRODUCT

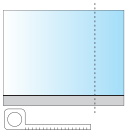
► Reference **0070RAIL13**

TYPE OF USE

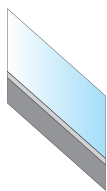


LATERAL MOUNTING
REMOTE MOUNTING

DIFFERENT SPECIFICITIES



MADE TO MEASURE




RAMPED



HIGH LEVEL

TECHNICAL SPECIFICATION AND INTERNATIONAL CERTIFICATION

Solutions tested according to regulations of different countries  can be found in the country performance guide.

LATERAL MOUNTING PROFILE 7013



THICKNESS OF GLASS
12 > 25.52 mm

► Reference **0070RAIL13**

TESTED & APPROVED

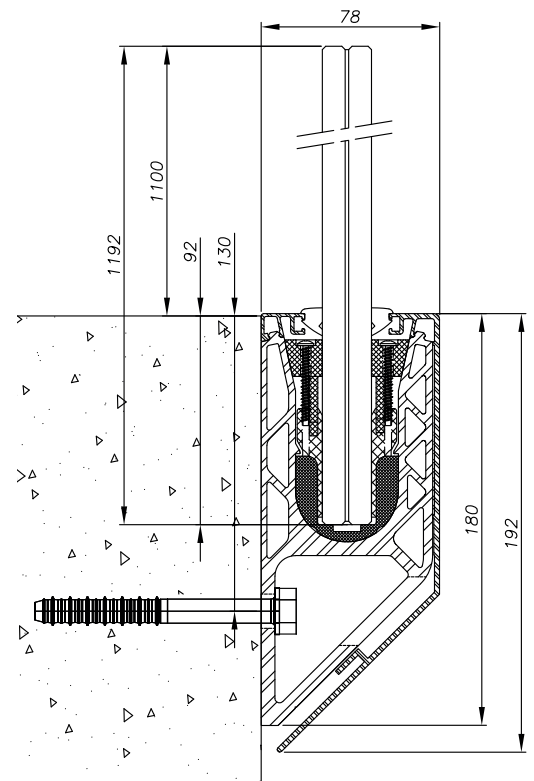


**GREATER
DISTANCE**
**in relation to
the slab edge**



TECHNICAL CHARACTERISTICS

Length	2 500 mm/5 000 mm (on request)
Width	75 mm
Height of profile	172 mm
Material	Aluminum
Type of application	Private/public
Type of mounting	Lateral offset fixing
Thickness of glass	12 > 25.52 mm
Height of railing	Standard: 1 500 mm
Profile finish	Anodized aluminum, raw
Fixing of profile	Every 200 to 400 mm depending on the requirements of your project.

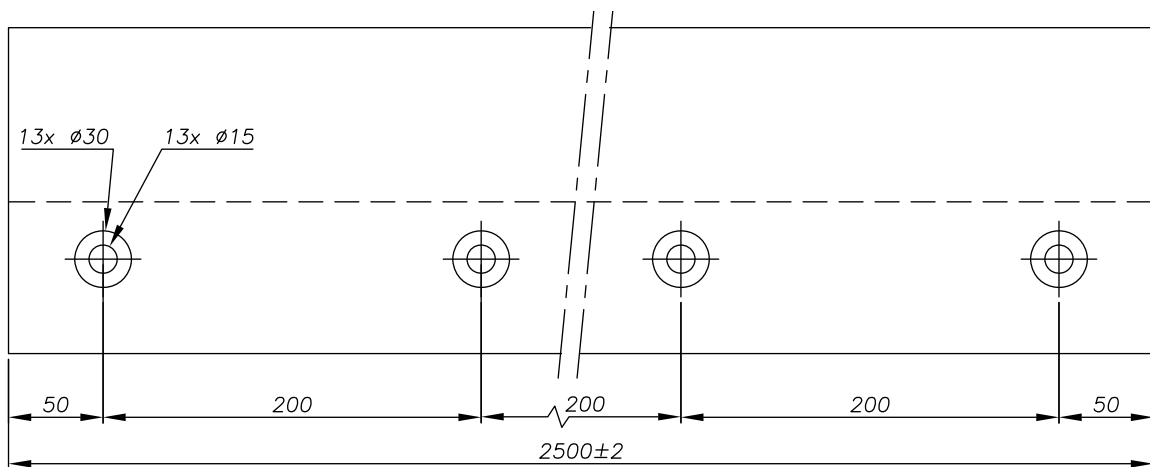


**FOR MORE INFORMATION
ON ANCHORING THE PROFILE:**
see our country performance guide
or the Technical Advice for each profile.

TECHNICAL PLANS

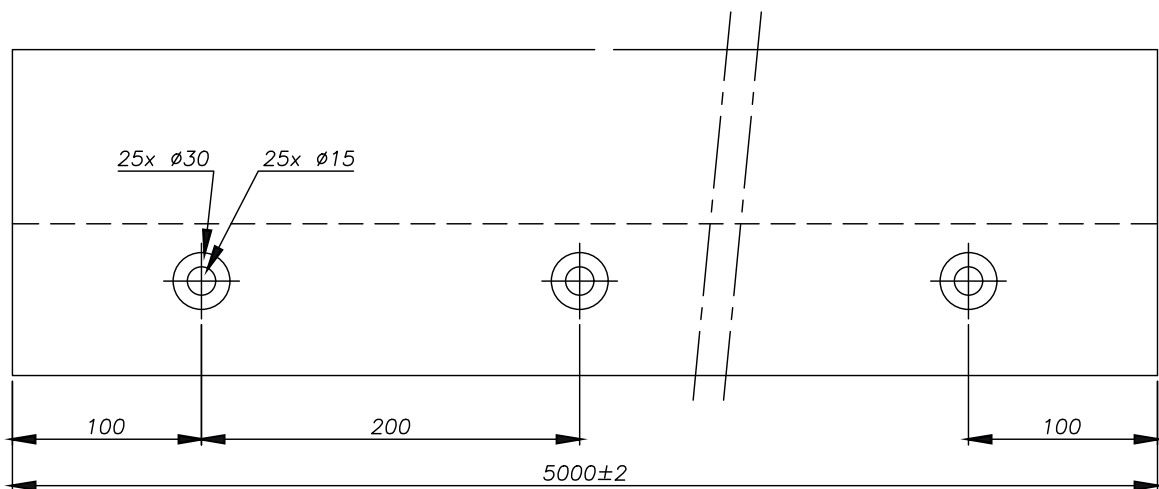
► **2 500 mm - Reference 0070RAIL13**

► **2 500 mm - Undrilled profile - Reference 0070RAIL203**



► **5 000 mm - Reference 0070RAIL23 (on request)**

► **5 000 mm - Undrilled profile - Reference 0070RAIL503 (on request)**

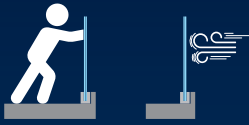


DRAINAGE & EXPANSION

For more details, see **page 80**.

LATERAL MOUNTING

PROFILE 7013D



TESTED & APPROVED



You will find all the elements compatible with the **7013D PROFILE** in this section

WEDGES, CLADDINGS & ACCESSORIES > p.96

THICKNESS OF GLASS
12 > 25.52 mm



APPLICATION | **RESIDENTIAL** | **PUBLIC** |

COMPATIBILITY OF WEDGES
One Side & Double Side



POSSIBLE FINISHES



00
Raw



01
Anodized
aluminum

ADJUSTMENT OF GLASS
+ or - 15 mm



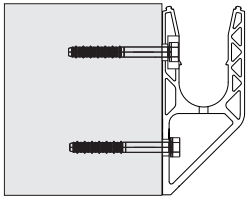
sadev.com



BIM
PRODUCT

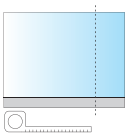
► Reference **0070RAIL13D**

TYPE OF USE

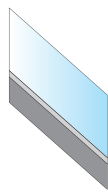


LATERAL OFFSET
DOUBLE FIXING MOUNTING

DIFFERENT SPECIFICITIES



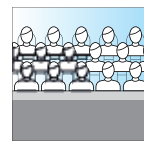
MADE TO MEASURE



RAMPED




HIGH LEVEL



HIGH PERFORMANCE

TECHNICAL SPECIFICATION AND INTERNATIONAL CERTIFICATION

Solutions tested according to regulations of different countries  can be found in the country performance guide.

LATERAL MOUNTING PROFILE 7013D



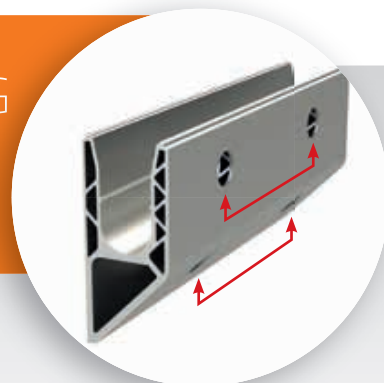
THICKNESS OF GLASS
12 > 25.52 mm

► Reference **0070RAIL13D**



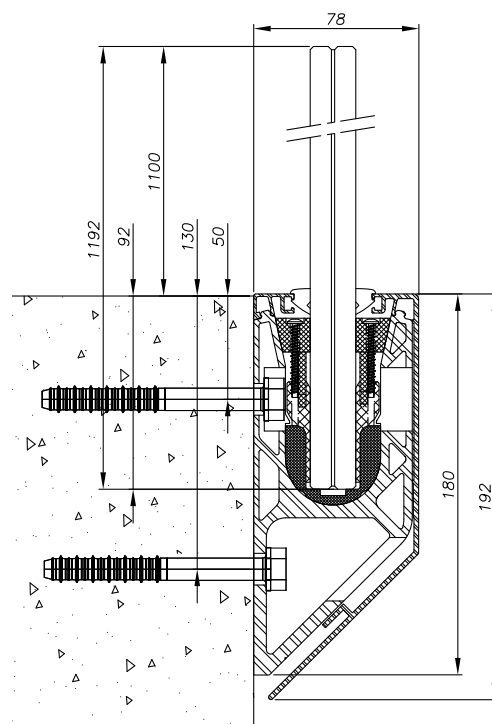
DOUBLE FIXING

Glass height
more important



TECHNICAL CHARACTERISTICS

Length	2 500 mm
Width	75 mm
Height of profile	172 mm
Material	Aluminum
Type of application	Private/public
Type of mounting	Lateral offset double fixing
Thickness of glass	12 > 25.52 mm
Height of railing	Standard: 1 800 mm
Profile finish	Anodized aluminum, raw
Fixing of profile	Every 200 to 400 mm depending on the requirements of your project.

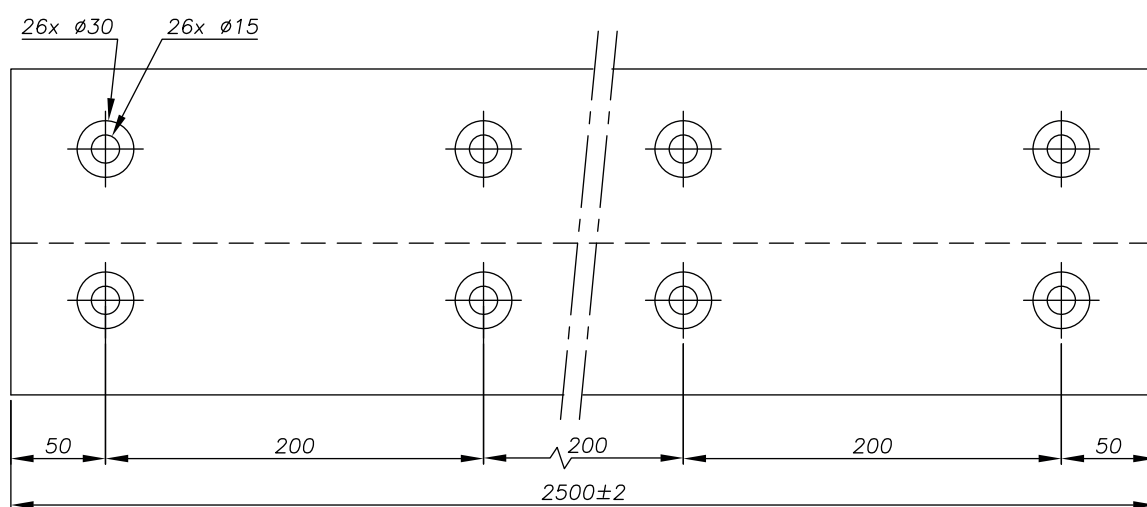


**FOR MORE INFORMATION
ON ANCHORING THE PROFILE:**
see our country performance guide
or the Technical Advice for each profile.

TECHNICAL PLANS

▶ 2 500 mm - Reference **0070RAIL13D**

▶ 2 500 mm - Undrilled profile - Reference **0070RAIL203**



DRAINAGE & EXPANSION

For more details, see **page 80**.

INSTRUCTIONS FOR ASSEMBLY

ONE SIDE WEDGE



INSTRUCTIONS BEFORE INSTALLATION

Drill the support using a tool suitable for the substrate.

If the substrate is uneven, level the profile by adding our Sadev wedging set.

Adjust and fix the rail to the fixing points using the appropriate wrench.

- 1 Apply pressure to the tool **ONE SIDE** to insert the wedges into the rail.
- 2 Clip on the exterior cladding.
- 3 Clip on the exterior seal.
- 4 Insert the glass and adjust to plumb using the level.
- 5 Insert and screw on the top wedge.
- 6 Clip on the cladding.
- 7 Insert the press-in gasket.

Glue the end cap to the end of the rail.



INSTALLATION INSTRUCTIONS

www.sadev.com/downloads

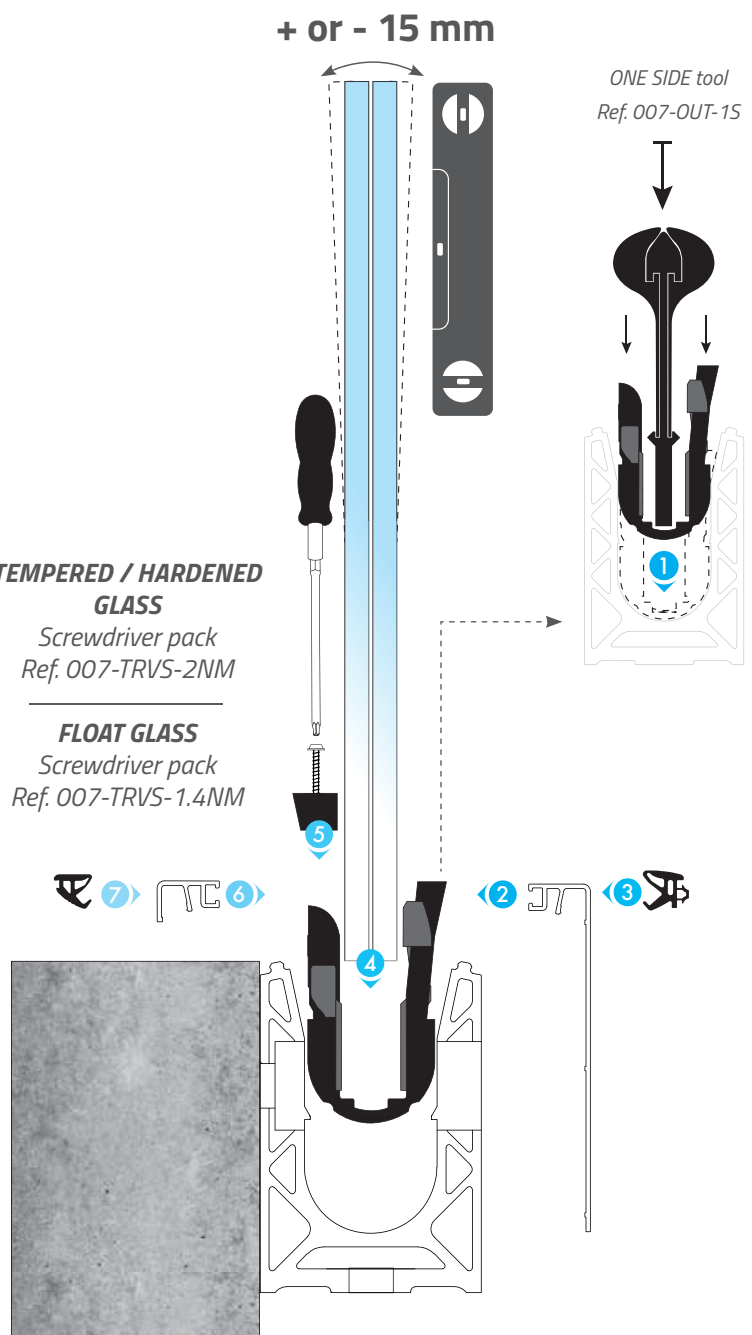


TEMPERED / HARDENED GLASS

Screwdriver pack
Ref. 007-TRVS-2NM

FLOAT GLASS

Screwdriver pack
Ref. 007-TRVS-1.4NM



DOUBLE SIDE WEDGE



INSTRUCTIONS BEFORE INSTALLATION

Drill the support using a tool suitable for the substrate.

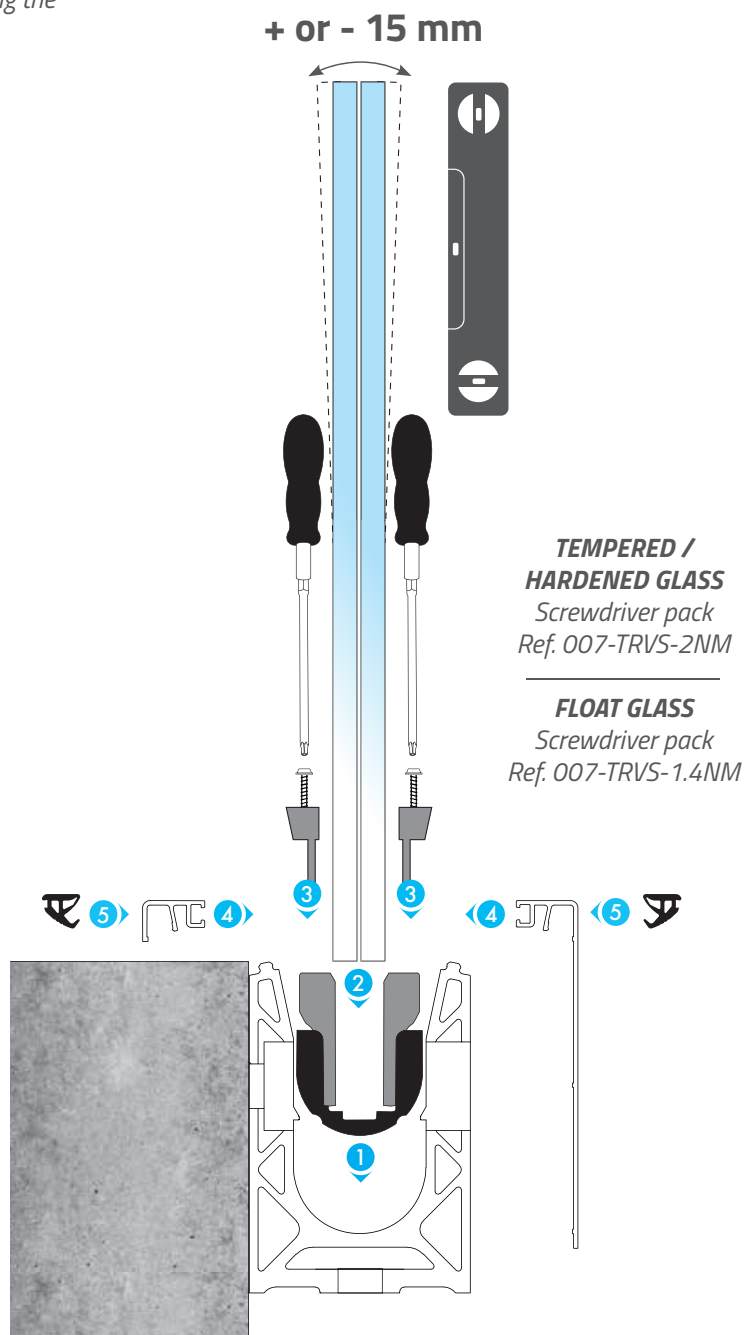
If the substrate is uneven, level the profile by adding our Sadev wedging set.

Adjust and fix the rail to the fixing points using the appropriate wrench.

- 1 Install the wedges in the rail.
- 2 Insert the glass and adjust to plumb using the level.
- 3 Insert and screw in the top wedges.
- 4 Clip on the claddings.
- 5 Insert the press-in gasket.

Glue the end cap to the end of the rail.

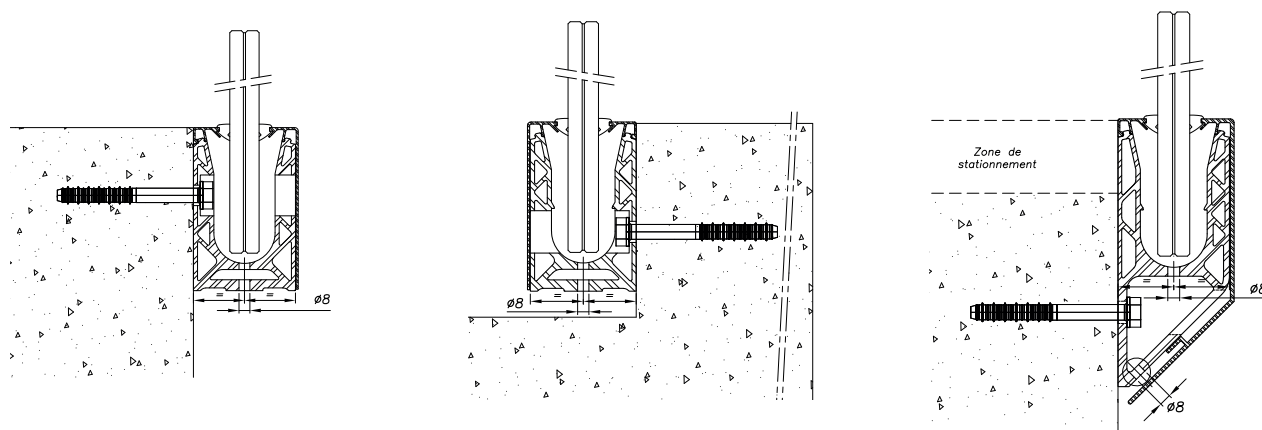
 **INSTALLATION INSTRUCTIONS**
www.sadev.com/downloads



DRAINAGE & EXPANSION

DRAINAGE

Drainage in the SABCO guardrail is achieved by drilling the aluminum profile and/or the finishing cladding according to the diagrams below. As the rail must be set in a straight line (without distortion), the water drains naturally from both sides of the rail. Depending on the situation, holes with a diameter of 8 mm can be drilled on site in the plug and/or in the profile for water drainage.



EXPANSION

Taking account of expansion to ensure performance of the profiles.

		Aluminum				
2 500 mm		Maximum profile temperature				
		40°C/104°F	50°C/122°F	60°C/140°F	70°C/158°F	80°C/176°F
Profile temperature during installation	-20°C/-4°F	4 mm	4 mm	5 mm	5 mm	6 mm
	-10°C/-14°F	3 mm	4 mm	4 mm	5 mm	5 mm
	0°C/32°F	3 mm	3 mm	4 mm	4 mm	5 mm
	10°C/50°F	2 mm	3 mm	3 mm	4 mm	4 mm
	20°C/68°F	1 mm	2 mm	3 mm	3 mm	4 mm
	30°C/86°F	1 mm	1 mm	2 mm	3 mm	3 mm
5 000 mm		Maximum profile temperature				
		40°C/104°F	50°C/122°F	60°C/140°F	70°C/158°F	80°C/176°F
Profile temperature during installation	-20°C/-4°F	7 mm	8 mm	9 mm	11 mm	12 mm
	-10°C/-14°F	6 mm	7 mm	8 mm	9 mm	11 mm
	0°C/32°F	5 mm	6 mm	7 mm	8 mm	9 mm
	10°C/50°F	4 mm	5 mm	6 mm	7 mm	8 mm
	20°C/68°F	3 mm	4 mm	5 mm	6 mm	7 mm
	30°C/86°F	1 mm	3 mm	4 mm	5 mm	6 mm

➤ Got any questions?

Contact us on +33 (0)4 50 08 39 00 or on our website

📖 **INSTALLATION INSTRUCTIONS:** www.sadev.com/downloads

FRANCE

THE METROPOLITAN

PUBLIC APPLICATION



PROFILE 7011

Performance: 3 kN

Thickness of glass : 12 > 25.52 mm

Mounting: Lateral





GUARDRAIL **CURVED**

GUARDRAIL
CURVED

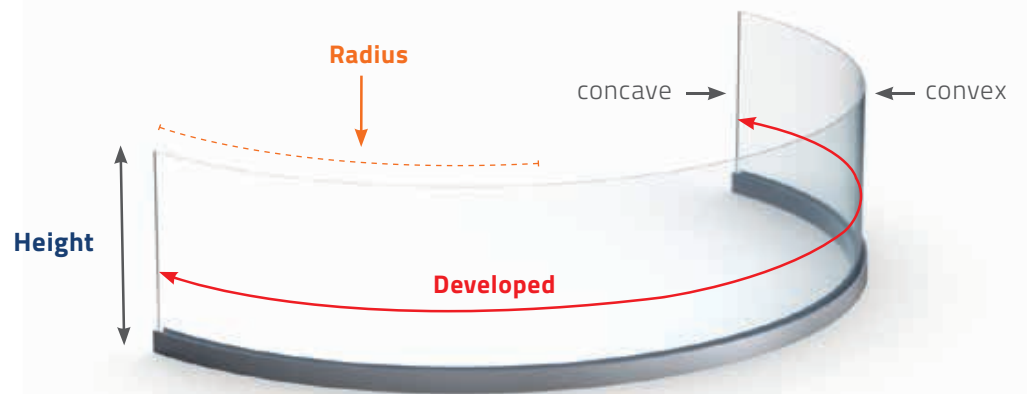
MODEL YOUR PROJECTS

The SABCO system can be used to create a curved guardrail with the following conditions:



a minimum radius of 800mm

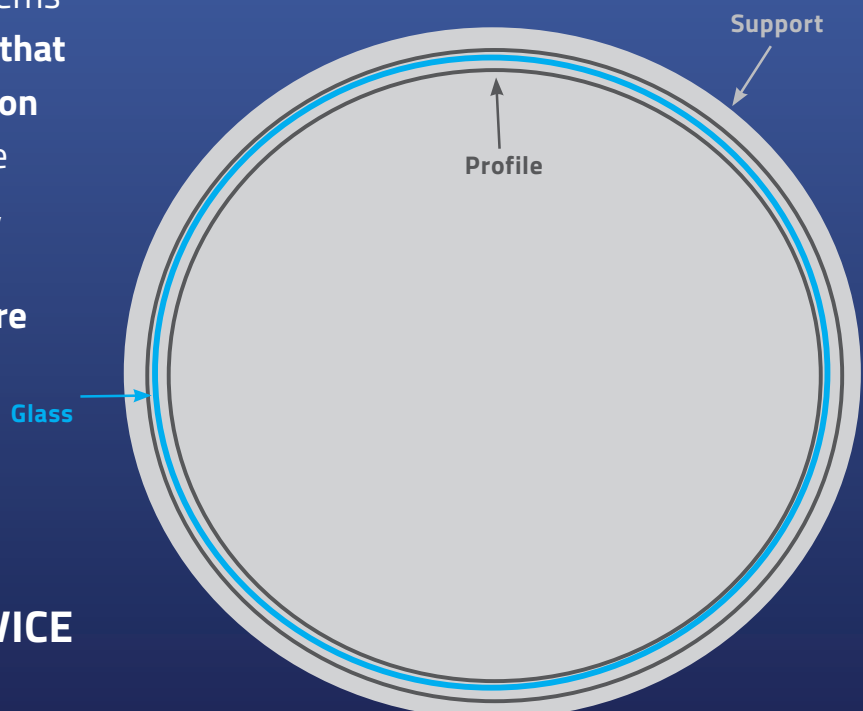
Tests were carried out to confirm the performance of the SABCO profile under the following conditions:

- a radius of 800 mm,
- glass height of 1 192 mm (up to 2 000 mm made to measure),
- developed from 1 000 or more
- convex and concave directional tests.



WHY CHOOSE THE SABCO SYSTEM FOR CURVING YOUR PROFILES?

Our patented wedge systems   are the only ones that allow for the compensation of radius tolerances of the profile, glass and support, thanks to their large assembly clearance before clamping.



 TECHNICAL ADVICE

FRANCE

METROPOLITAN

PUBLIC APPLICATION

Height of glass: **1 100 mm**

Profiles: **7013 and 7010**
on square

Thickness of glass: **8.8**

GUARDRAIL
CURVED

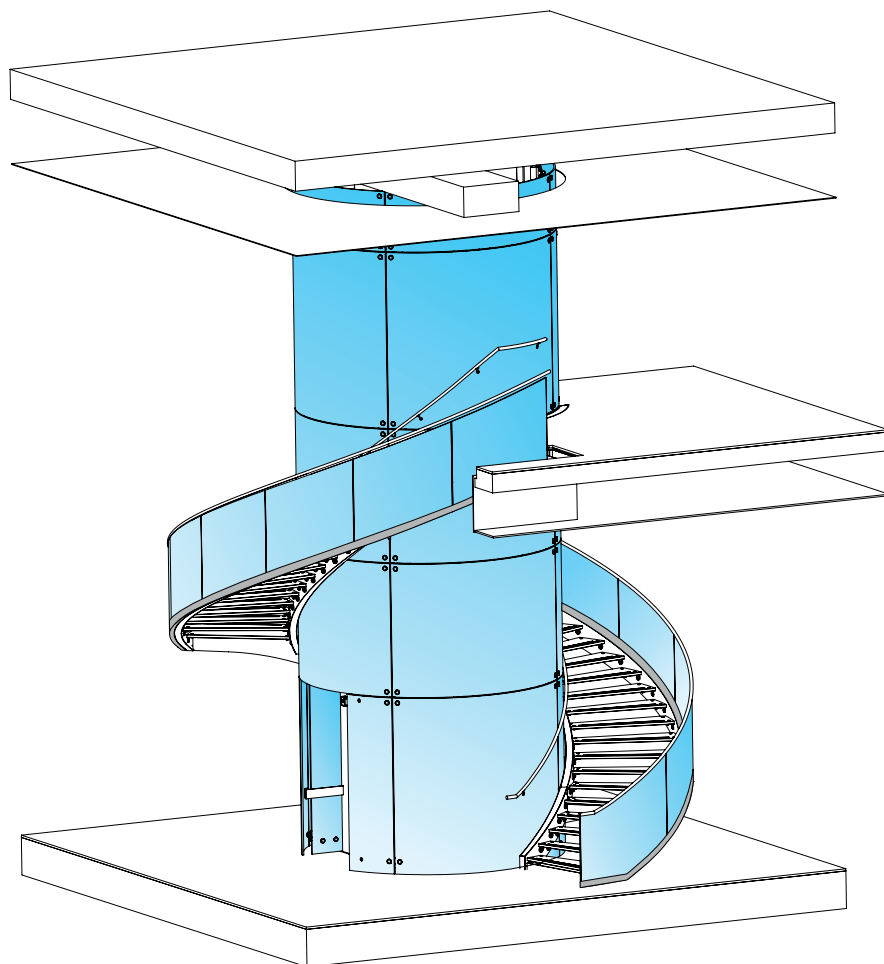
OUR TECHNICAL ENGINEERING SUPPORTS YOU IN EVEN THE MOST COMPLEX PROJECTS.

Our engineers are tasked with carrying out studies, calculations and tests to provide you with a technical solution that meets the specifications of your project.

They take account of various criteria:

- the technical characteristics of your project
- the technical to capabilities of on the profile used
- the dimensions of the glazing
- the demands of weather conditions.

Depending on these elements, they will propose a personalized solution for bringing your project to realization.



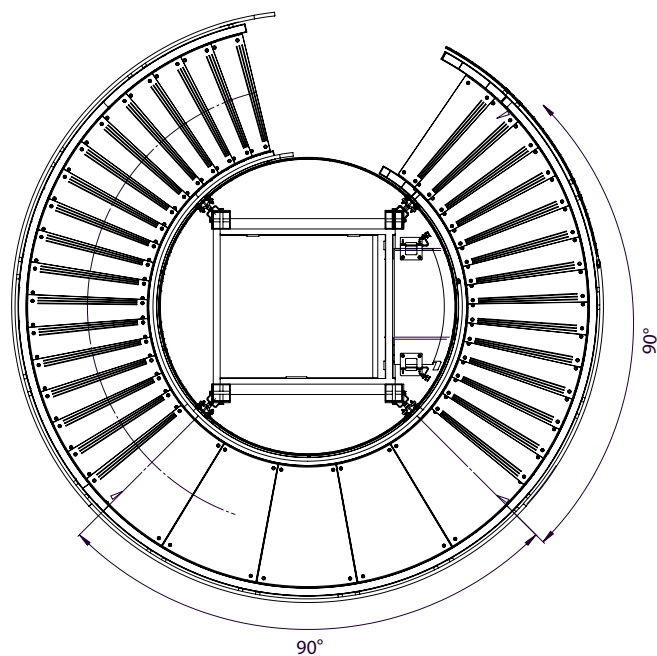
Stairs and elevator shaft

Height to be mounted: 5 936 mm

All-glass staircases with SABCO balustrade.

Integration of VEA elevator shaft with curved glazing.

View from above



FRANCE

METZ ELECTRICITY FACTORY

PUBLIC APPLICATION

Height of glass: **1 100 mm**

Profile: **7011**

Thickness of glass: **10.10**

GUARDRAIL
CURVED

MONACO

TOWER
« LES GIROFLÉES »

PUBLIC APPLICATION

Height of glass: **1 250 mm**

Profile: **7010**

Thickness of glass: **10.10**

2 400 metres
OF CURVED PROFILES



COMPATIBLE PROFILES FOR BENDING



7010
0070RAIL10
FLOOR MOUNTING



7015
0070RAIL15
FLOOR MOUNTING



7017
0070RAIL17
FLOOR MOUNTING



7018
0070RAIL18
FLOOR MOUNTING



7018L
0070RAIL18L
FLOOR MOUNTING



7019
0070RAIL19
FLOOR MOUNTING



7030
0070RAIL30
FLOOR MOUNTING



7011
0070RAIL11
LATERAL MOUNTING



7011R
0070RAIL11R
LATERAL MOUNTING



7031
0070RAIL31
LATERAL MOUNTING



7031R
0070RAIL31R
LATERAL MOUNTING

SPAIN

SAN BARTOLOME VIEWPOINT

PUBLIC APPLICATION

Height of glass: **1 800 mm**

Profile: **7019**

Thickness of glass: **12.12**



GUARDRAIL

HIGH LEVEL

Windbreaks and breeze sight
act as a guardrail.



FRANCE

MONTPELLIER TGV STATION

PUBLIC APPLICATION

Height of glass: **1 800 mm**

Profile: **7019**

Thickness of glass: **10.10**



GO HIGHER

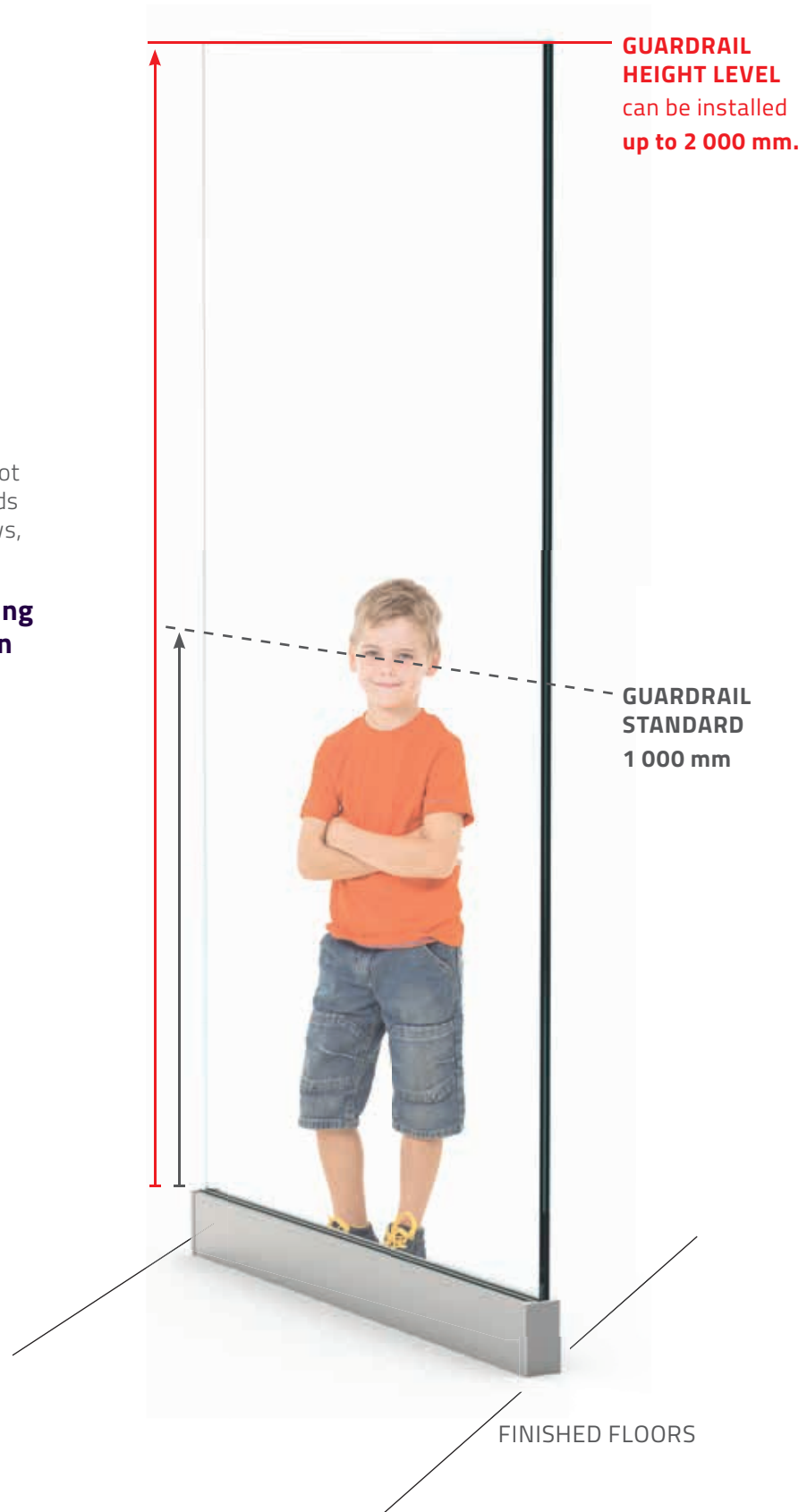
Our high-level guardrails are essential in certain situations:

- windbreak
- sight glass
- specific railway station and airport applications.

Our products will meet the specification requirements of these projects with the approval of an engineer.

For certain projects 1000mm is not sufficient for areas with high winds desiring to achieve maximize views, extra security and protection.

You can feel secure increasing the height of the glass when using SADEV products.



OUR TECHNICAL ENGINEERING TO SERVE YOUR PROJECTS.

We help you to make your ideas feasible, whatever your criteria may be.

Based on the information provided by you and the test reports, our engineers can design the right proposal for your application (calculation note, specific tests etc).

To obtain the most suitable solution, they take account into **various criteria:**

Categories of operation:

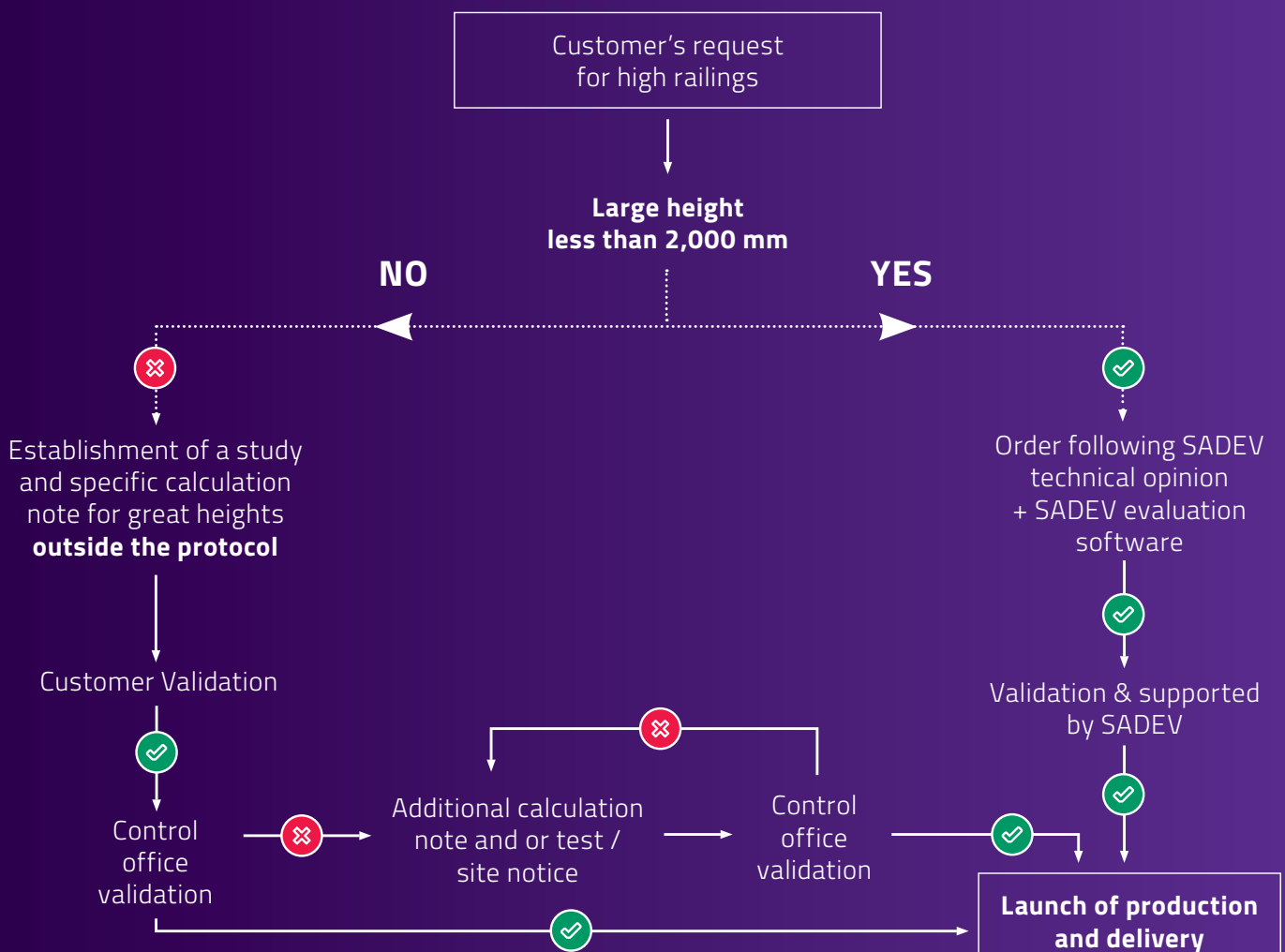
- housing
- schools
- businesses
- concert halls
- stadium seating

Wind pressure:

- definition of the best product in terms of combination of guardrail function and wind resistance
- optimal use profile

Characteristic of project:

- type of installation
- support
- exhibition



COMPATIBLE PROFILES FOR HIGH LEVEL



7010

0070RAIL10

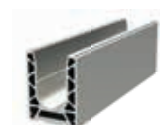
FLOOR MOUNTING



7015

0070RAIL15

FLOOR MOUNTING



7018

0070RAIL18

FLOOR MOUNTING



7018L

0070RAIL18L

FLOOR MOUNTING



7019

0070RAIL19

FLOOR MOUNTING



7011

0070RAIL11

LATERAL MOUNTING



7011R

0070RAIL11R

LATERAL MOUNTING



7013

0070RAIL13

MONTAGE LATÉRAL



7013D

0070RAIL13D

LATERAL MOUNTING



WEDGES, CLADDINGS & ACCESSORIES

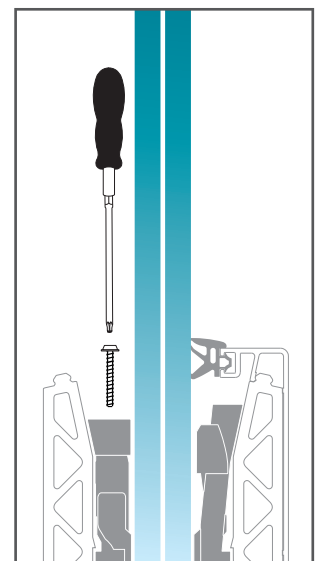
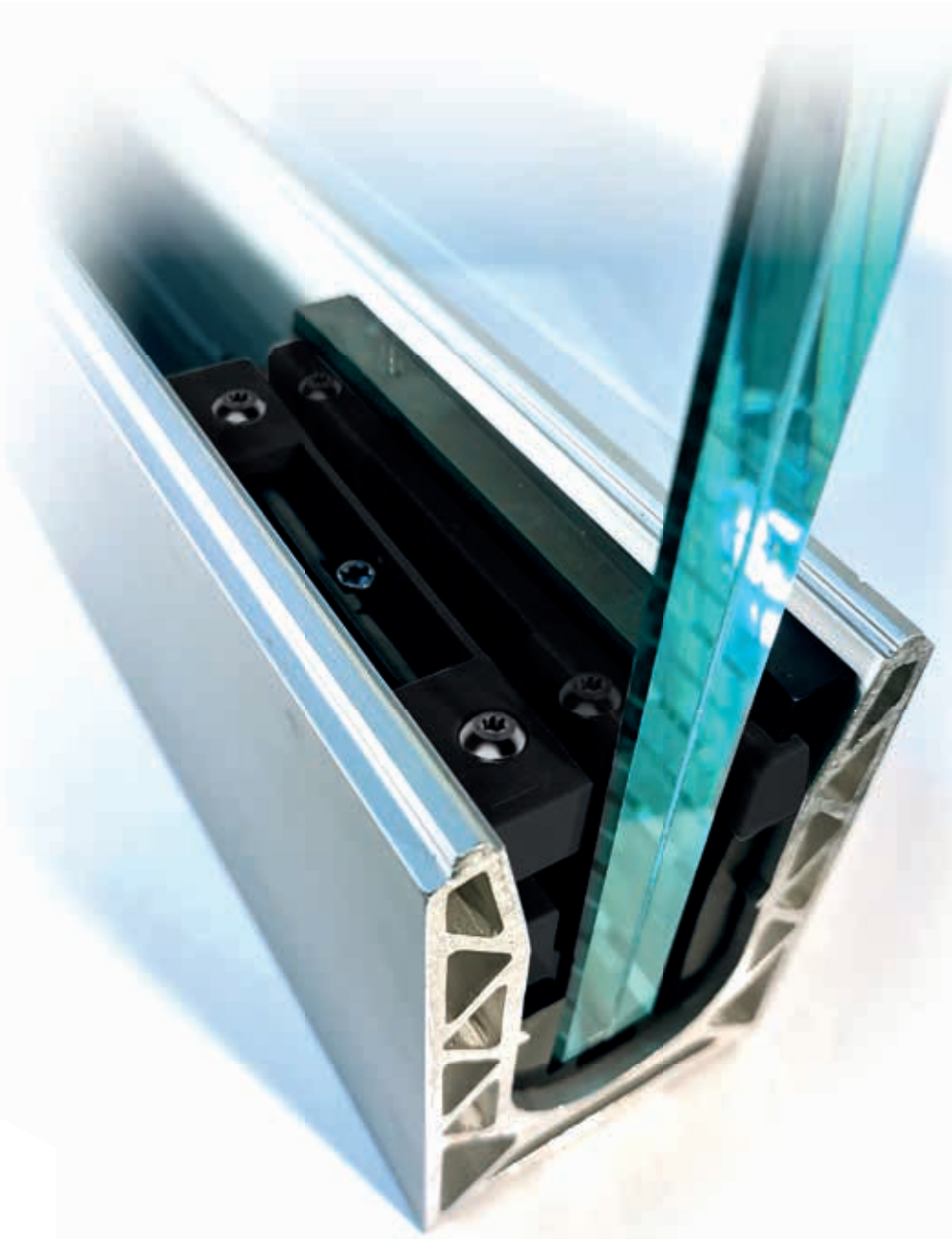
SABCO adjustable system	98
One-Side & Double-Side wedges	100
Gaskets.....	101
Claddings	102
End caps.....	110
Accessories & tools	120
LED Systems.....	128



INSTALL IT FITS!

As a manufacturer, we understand that a contractor.

For this reason, we have developed and tested our railing solutions with the main focus being quick and easy installation.

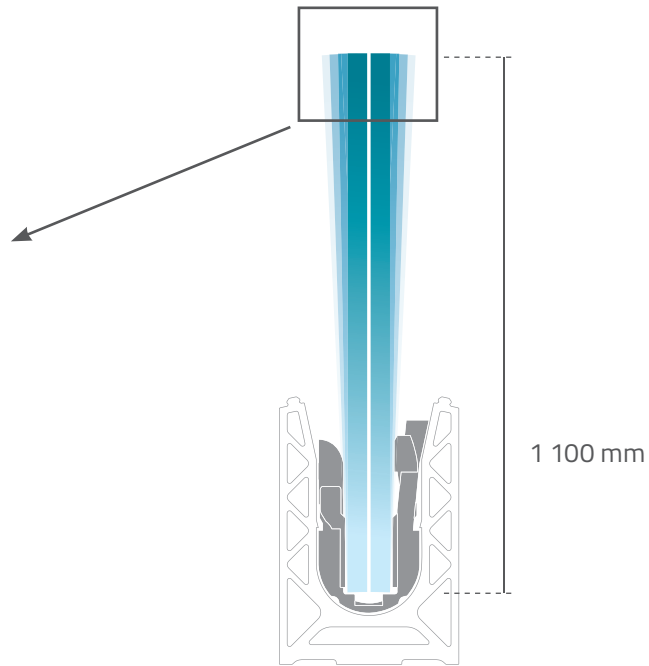
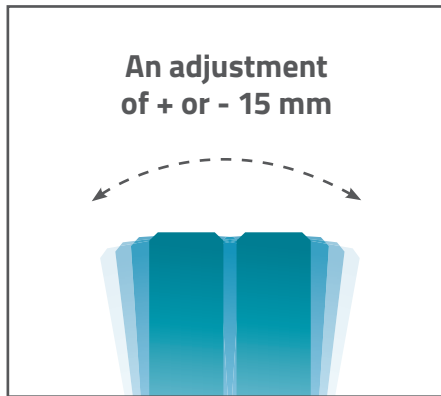


ADJUSTMENT ON ONE SIDE

Very fast, single-sided clamping for easy installation to projects with difficult access.

SELF-ADJUSTING SYSTEM

SABCO wedges have been developed to increase the durability and strength of the system, while allowing the glass to be plumbed.



EVEN MORE TRANSPARENCY

The One-Side and Double-Side wedges bring even more transparency to your projects as they become black.

Inside each wedge you will find a number corresponding to a specific thickness of glass.

Example for Double Side wedge:



Thickness of glass:
20.26 > 21.52

Composition of glazing:
10.10



NUMBER of wedge

2

 The wedge comparison table appears on page 100



Our products are part of an eco-design approach that seeks to **minimize their impact on the environment and make them easier to recycle.**

This is why our wedges are made in France, using a thermoplastic polymer named **ABS (Acrylonitrile Butadiene Styrene).**

Accelerated aging and salt spray tests on our wedges guarantee the performance of the SABCO system over time and under the most extreme conditions.

Test report: BEB6.L.3026 - DEM0049645-1

 **Mor informations to page 154**

ONE SIDE & DOUBLE SIDE WEDGES



ONE SIDE WEDGE

> Access only **from one side** of the profile.

Set of 8 wedges



THICKNESS OF GLASS	COMPOSITION OF GLAZING	REFERENCE	NUMBER OF WEDGES
12.4 > 13.2 mm	6.6	007AKIT08CAL1S0606	⑩
16,2 > 17,6 mm	8.8	007AKIT08CAL1S0808	⑫
20,3 > 21,9 mm	10.10	007AKIT08CAL1S1010	⑪



ONE SIDE STRONG WEDGE

> Access only **from one side** of the profile.

Set of 10 wedges



THICKNESS OF GLASS	COMPOSITION OF GLAZING	REFERENCE	NUMBER OF WEDGES
24.9 > 26.2 mm	12.12	0070KIT10CALE1212F	①
30.9 > 32 mm	15.15	0070KIT10CALE1515F	①

For a glass of 965 mm and a finished height of 1 meter.



DOUBLE SIDE WEDGE

> Access **from both sides** of the profile.

Set of 10 wedges



THICKNESS OF GLASS	COMPOSITION OF GLAZING	REFERENCE	NUMBER OF WEDGES
11.7 > 13.3 mm	12-6.6	0070KIT10CALE12	⑥
14.5 > 15.5 mm	15	0070KIT10CALE15	⑤
16.2 > 18.2 mm	8.8	0070KIT10CALE0808	④
18.0 > 20.3 mm	19	0070KIT10CALE19	③
20.4 > 22.2 mm	10.10	0070KIT10CALE1010	②
24.2 > 25.9 mm	12.12	0070KIT10CALE1212	①
24.2 > 25.9 mm	12.12	0070KIT10CALE1212L**	⑤
30.9 > 32 mm	15.15	0070KIT10CALE1515L**	②
12.4 > 13.2 mm	6.6	0080KIT10CALE0606*	①

Set of 20 wedges

24.2 > 25.9 mm	12.12	0070KIT20CALE1212X***	①
----------------	-------	-----------------------	---

* 8050 profile compatible - ** 7018 & 7018L profile compatible - *** 7019 profile compatible

GASKET



PRESS-IN GASKET

THICKNESS OF GLASS	REFERENCE	COLOR
0606	0080JOINT0606*	black
9/16 et 15	0070JOINT9/16	black
0808	0070JOINT0808	black
1010	0070JOINT1010	black
1212	0070JOINT1212	black
1515	0070JOINT1515	black
1212	0070JOINT1212L**	black
1515	0070JOINT1515L**	black
0808	0070JOINT0808G	grey
1010	0070JOINT1010G	grey
1212	0070JOINT1212G	grey

* 8050 profile compatible - ** 7018 & 7018L profile compatible

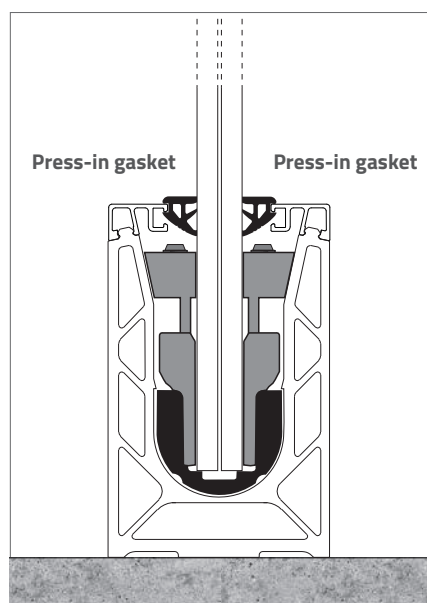


SNAP-FIT GASKET

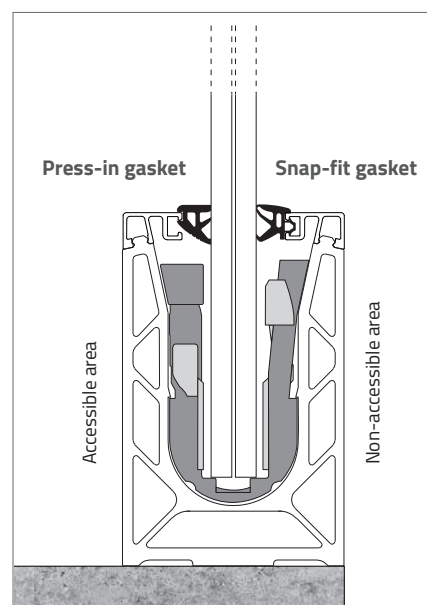
THICKNESS OF GLASS	REFERENCE
0808	0070JOINT0808C
1010	0070JOINT1010C
1212	0070JOINT1212C*

* gasket for ONE SIDE 6.6 wedge (007AKIT08CAL150606)

DOUBLE SIDE WEDGE
(Access from both sides of the profile.)



ONE SIDE WEDGE
(Access only from one side of the profile.)



CLADDINGS

THE DETAIL THAT MAKES THE DIFFERENCE

Our range of wedges allow you to integrate the SABCO glass railing aesthetically in all your configurations.

Whether they are visible, recessed or edge-mounted, we can offer you a complete solution.

All our claddings are available in lengths of 2500 mm or 5000 mm and they are compatible with all of our SABCO guardrail profiles.

We can also design custom lengths.



CLADDINGS

A variety of finishes are available:



RAW
ALUMINUM
Code: **00**



ANODIZED
ALUMINUM
Code: **01**

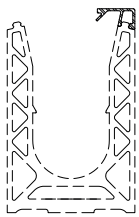


ALUMINUM
BRUSHED STAINLESS
STEEL EFFECT
Code: **02**



RAL
Code: **03**

When ordering, please specify the finish you wish to obtain on your product:
ex. high cladding **0070CAPO210** with anodized Aluminum finish **01** = **0070CAPO210-01**.



HIGH CLADDING



GLASS 12 & 19



SPECIFIC SLAB EDGE COVER



7018 & 7018L COMPATIBLE

REFERENCE	LENGTH	AVAILABLE FINISHES	TECHNICAL PLAN
0070CAPO206	2 500 mm	- 01 02 03	
0070CAPO506	5 000 mm		
0070CAPO210	2 500 mm	- 01 02 03	
0070CAPO510	5 000 mm		
0070CAPO217	2 500 mm	- 01 02 03	
0070CAPO517	5 000 mm		
0070CAPO222	2 500 mm	- 01 - -	



00 Raw Aluminum



01 Anodized Aluminum

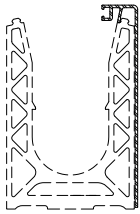


02 Aluminum brushed stainless steel effect



03 RAL

CLADDINGS



SIDE CLADDING

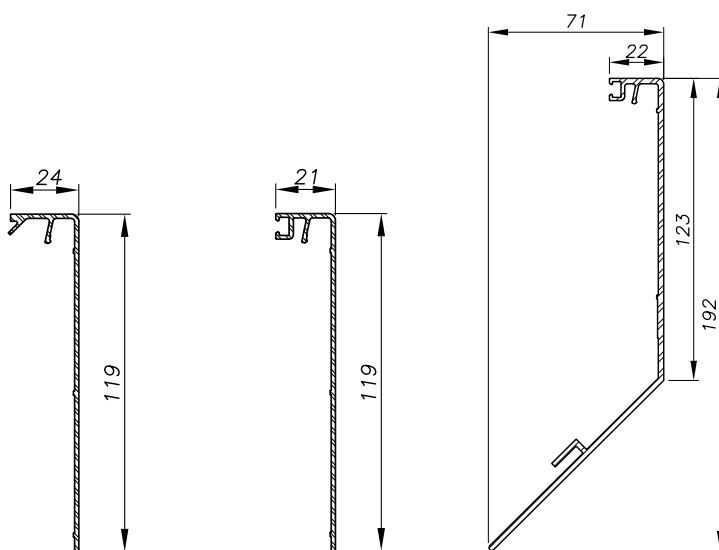


GLASS 12 & 19



REFERENCE	LENGTH	AVAILABLE FINISHES			
0070CAPO205	2 500 mm	00	01	02	03
0070CAPO505	5 000 mm				
0070CAPO209	2 500 mm	00	01	02	03
0070CAPO509	5 000 mm				
0070CAPO226	2 500 mm	00	01	02	03
0070CAPO526	5 000 mm				

TECHNICAL PLAN



0070CAPO205

0070CAPO209

0070CAPO226

HOLE PLUGS

Plugs for side mounting



Ref. 007BOU-D30-G

Ø 30 mm
Sold by the unit



00 Raw Aluminum



01 Anodized Aluminum



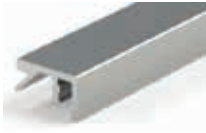
02 Aluminum brushed
stainless steel effect



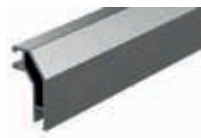
03 RAL



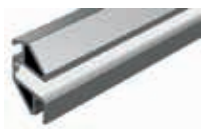
CLADDING SPECIFIC FOR PROFILE 0080RAIL50



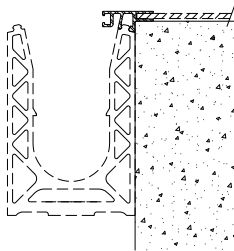
REFERENCE	LENGTH	AVAILABLE FINISHES	TECHNICAL PLAN
0080CAPO252	2 500 mm	- 01 - 03	



0080CAPO250	2 500 mm	- 01 - 03	
-------------	----------	-----------	--



0080CAPO260	2 500 mm	- 01 - 03	
-------------	----------	-----------	--



HORIZONTAL CLADDING



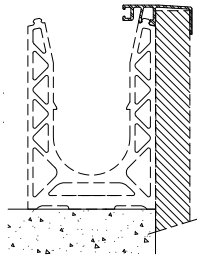
REFERENCE	LENGTH	AVAILABLE FINISHES	TECHNICAL PLAN
0070CAPO211	2 500 mm	01 02 03	
0070CAPO511	5 000 mm		



0070CAPO212	2 500 mm	01 02 03	
0070CAPO512	5 000 mm		



CLADDINGS



VERTICAL CLADDING



0070CAPO213

2 500 mm

01 02 03



0070CAPO513

5 000 mm



0070CAPO225

2 500 mm

01 - -



0070CAPO214

2 500 mm

01 02 03



0070CAPO514

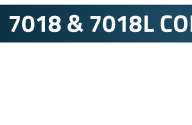
5 000 mm



0070CAPO215

2 500 mm

01 02 03



0070CAPO515

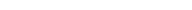
5 000 mm



0070CAPO216

2 500 mm

01 02 03



0070CAPO516

5 000 mm

0070CAPO216

2 500 mm

01 02 03

0070CAPO516

5 000 mm

0070CAPO223

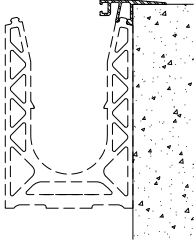
2 500 mm

01 - -

REFERENCE	LENGTH	AVAILABLE FINISHES	TECHNICAL PLAN
0070CAPO213	2 500 mm	01 02 03	
0070CAPO513	5 000 mm		
0070CAPO225	2 500 mm	01 - -	
0070CAPO214	2 500 mm	01 02 03	
0070CAPO514	5 000 mm		
0070CAPO215	2 500 mm	01 02 03	
0070CAPO515	5 000 mm		
0070CAPO216	2 500 mm	01 02 03	
0070CAPO516	5 000 mm		
0070CAPO223	2 500 mm	01 - -	

7018 & 7018L COMPATIBLE

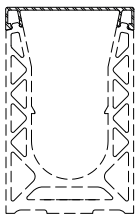
CLADDINGS



UPPER COVER CLADDING



REFERENCE	LENGTH	AVAILABLE FINISHES			TECHNICAL PLAN
0070CAPO220	2 500 mm	01	03		
0070CAPO520	5 000 mm				
0070CAPO227	2 500 mm	01	02	03	
0070CAPO527	5 000 mm				



COVER CLADDING



REFERENCE	LENGTH	AVAILABLE FINISHES			TECHNICAL PLAN
0070CAPO221	2 500 mm	01	02	03	



00 Raw aluminium



01 Anodised aluminium



02 Aluminium brushed
stainless steel effect



03 RAL



WEDGES, CLADDINGS
& ACCESSORIES

END CAPS

THE FINISHING TOUCH!

End caps complete your project for a perfect look! Finishes can be customized to your liking.

Two types of models are available.



THE **COVERING** CAPS

For covering
the end of the profile
and attached with
adhesive tape



THE **CUT OUT** CAPS

Low profile covers cut
to size for end of the
profiles and attached
with adhesive tape.

DRAINAGE

A 5/16 hole can be drilled in the end cap to allow for water drainage.

📞 Contact us on **+33 (0)4 50 08 39 00** or on our website

📖 **INSTALLATION INSTRUCTIONS:** www.sadev.com/downloads

END CAPS

CUT OUT

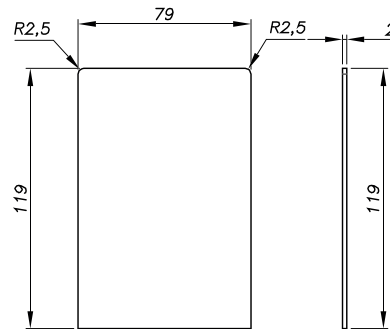
REFERENCE

TECHNICAL PLAN

0070RAIL10 - 0070RAIL19 COMPATIBLE



0070CE10



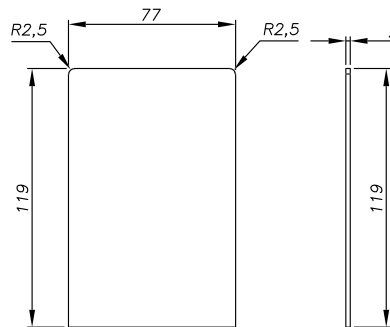
AVAILABLE FINISHES

00 01 02 03

0070RAIL11 - 0070RAIL11R - 0070RAIL31 - 0070RAIL31R COMPATIBLE



0070CE11



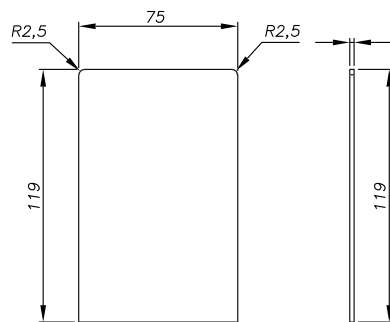
AVAILABLE FINISHES

00 01 02 03

0070RAIL30 COMPATIBLE



0070CE30



AVAILABLE FINISHES

- 01 02 03



00 Raw Aluminum



01 Anodized Aluminum


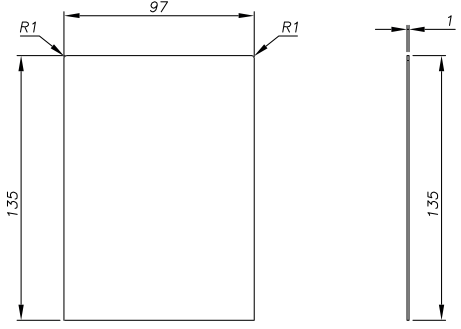

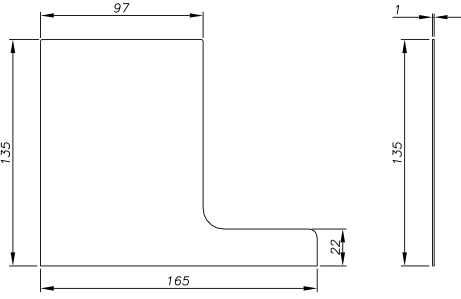

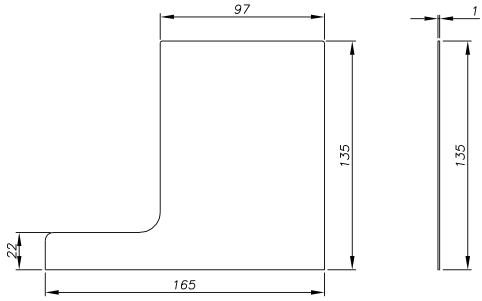


02 Aluminum brushed stainless steel effect



03 RAL


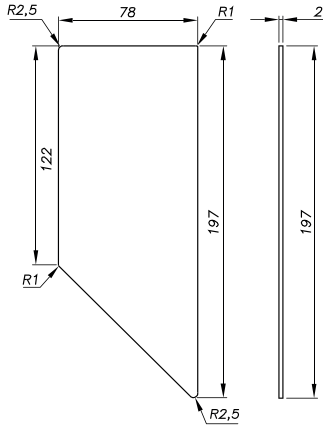

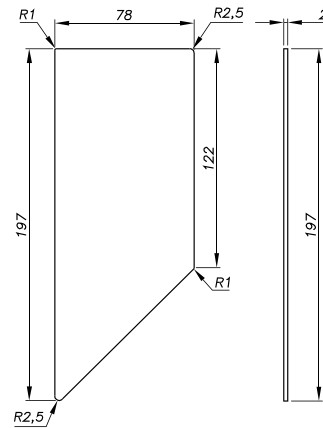

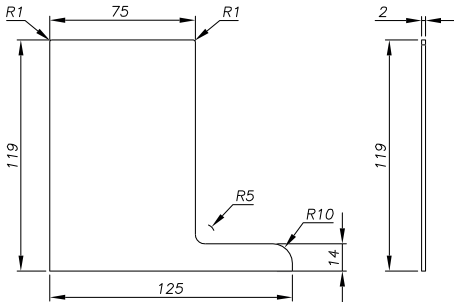
END CAPS | CUT OUT

	REFERENCE	TECHNICAL PLAN
0070RAIL18 COMPATIBLE		
 <p>AVAILABLE FINISH</p> <p>- 01 - 03</p>	0070CE18	
0070RAIL18L COMPATIBLE		
 <p>AVAILABLE FINISH</p> <p>- 01 - 03</p>	0070CE18LD	
 <p>AVAILABLE FINISH</p> <p>- 01 - 03</p>	0070CE18LG	


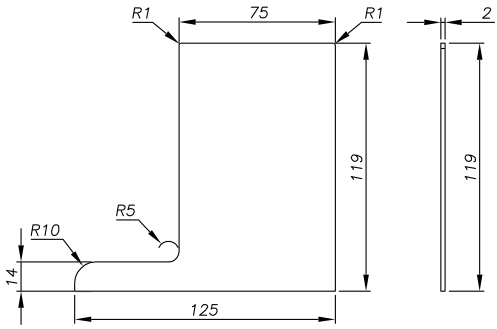

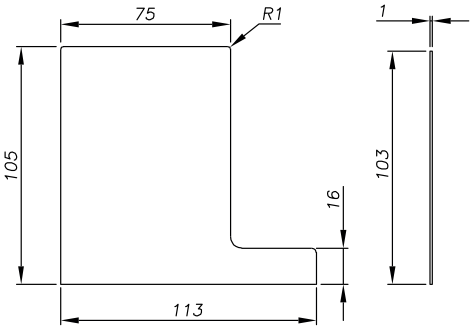

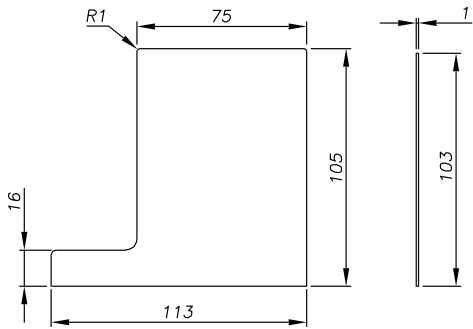


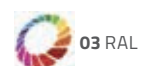
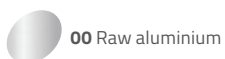
END CAPS

CUT OUT

	REFERENCE	TECHNICAL PLAN
0070RAIL13 COMPATIBLE		
 <p>AVAILABLE FINISHES</p> <p>- 01 02 03</p>	0070CE13D	
0070RAIL13 COMPATIBLE		
 <p>AVAILABLE FINISHES</p> <p>- 01 02 03</p>	0070CE13G	
0070RAIL15 COMPATIBLE		
 <p>AVAILABLE FINISHES</p> <p>- 01 02 03</p>	0070CE15D	

END CAPS | CUT OUT

	REFERENCE	TECHNICAL PLAN
<p>0070RAIL15 COMPATIBLE</p>  <p>AVAILABLE FINISHES</p> <p>- 01 02 03</p>	<p>0070CE15G</p>	
<p>0070RAIL17 COMPATIBLE</p>  <p>AVAILABLE FINISH</p> <p>- 01 - 03</p>	<p>0070CE17D</p>	
 <p>AVAILABLE FINISH</p> <p>- 01 - 03</p>	<p>0070CE17G</p>	



END CAPS

MITERED CUT

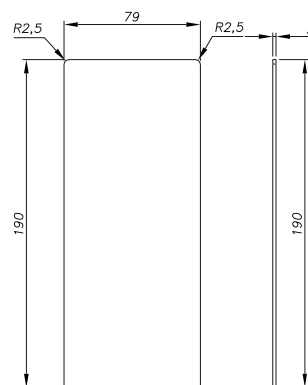
REFERENCE

TECHNICAL PLAN

0070RAIL10 COMPATIBLE



0070CER10



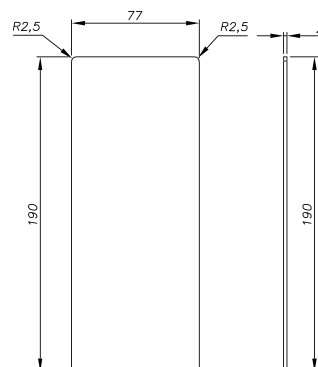
AVAILABLE FINISHES

- 01 02 03

0070RAIL11 COMPATIBLE



0070CER11



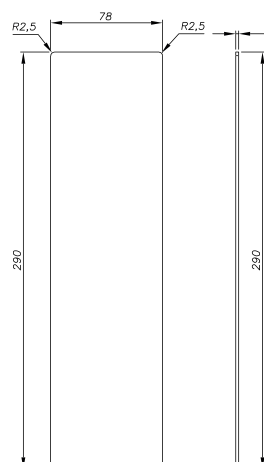
AVAILABLE FINISHES

- 01 02 03

0070RAIL13 COMPATIBLE




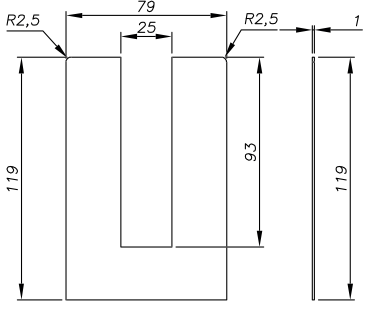

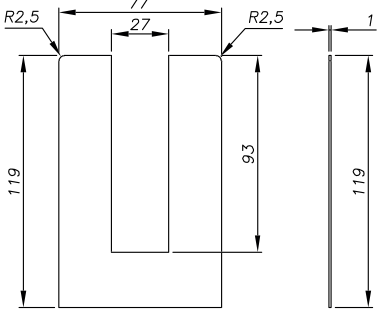

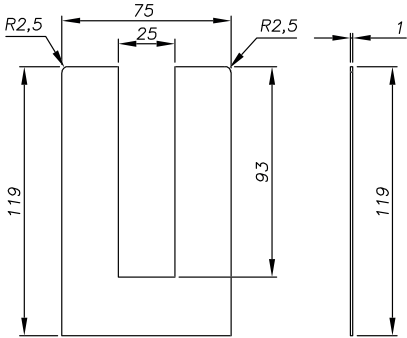
0070CER13

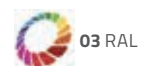
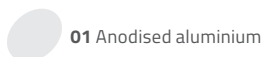
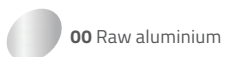


AVAILABLE FINISHES

- 01 02 03


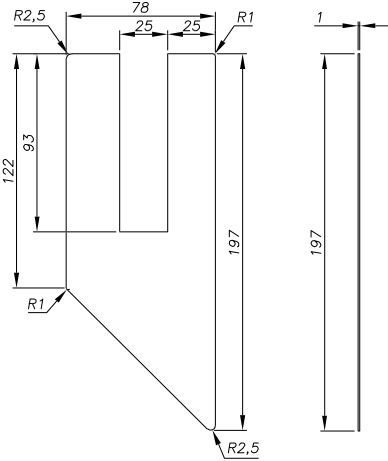
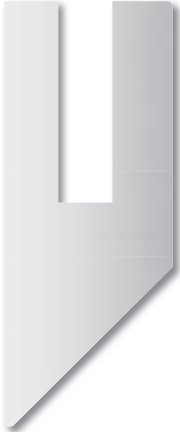
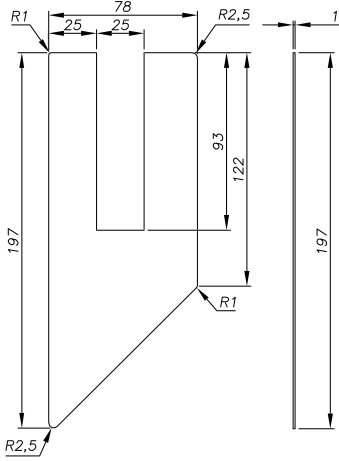
END CAPS | OPEN

	REFERENCE	TECHNICAL PLAN
<p>0070RAIL10 COMPATIBLE</p>  <p>AVAILABLE FINISH - 01 - 03</p>	0070CEU10	
<p>0070RAIL11 COMPATIBLE</p>  <p>AVAILABLE FINISH - 01 - 03</p>	0070CEU11	
<p>0070RAIL30 COMPATIBLE</p>  <p>AVAILABLE FINISH - 01 - 03</p>	0070CEU30	



END CAPS

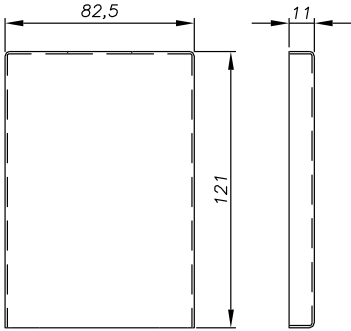
OPEN

0070RAIL13 COMPATIBLE	REFERENCE	TECHNICAL PLAN
 <p data-bbox="228 965 408 992">AVAILABLE FINISH</p> <p data-bbox="204 1003 443 1030">- 01 - 03</p>	<p data-bbox="549 745 705 772">0070CEU13D</p>	
 <p data-bbox="228 1579 408 1606">AVAILABLE FINISH</p> <p data-bbox="204 1617 443 1644">- 01 - 03</p>	<p data-bbox="549 1359 705 1386">0070CEU13G</p>	

REFERENCE TECHNICAL PLAN
0070RAIL10 & 0070RAIL30 COMPATIBLE



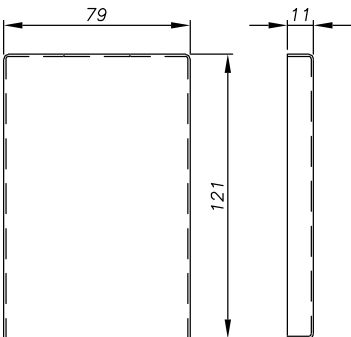
0070CEC01



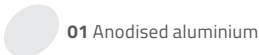
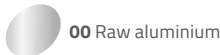
AVAILABLE FINISHES
00 01 02 03



0070CEC02



AVAILABLE FINISHES
00 01 02 03



END CAPS

COVERING

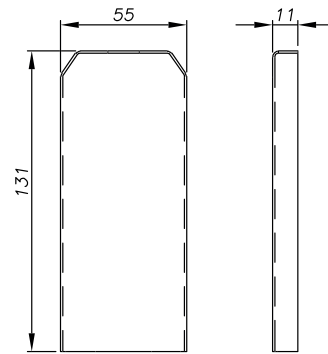
REFERENCE

TECHNICAL PLAN

0080CAPO250 COMPATIBLE



0080CE50



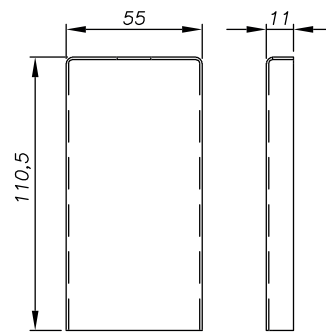
AVAILABLE FINISHES

- 01 02 03

0080CAPO252 COMPATIBLE



0080CE52



AVAILABLE FINISH

- 01 - 03

ACCESSORIES & TOOLS

LEVELING TOOL

This tool allows for easy leveling of the profile.

Réf. 007OUTNIV01-U45K2 Sold in pairs

Réf. 007OUTNIV01-U57K2 Sold in pairs



2 Screw button for levels of different sizes.



1
Fastening clips for SABCO profile

This tool is compatible with the **following SABCO profiles:**
7031 - 7031R - 7011
7011R - 7013 - 7013D
7017 - 7030 - 7010
7015 - 7019



Advantage #1

It clips on!

Leveling the profile is now a breeze.

Advantage #2

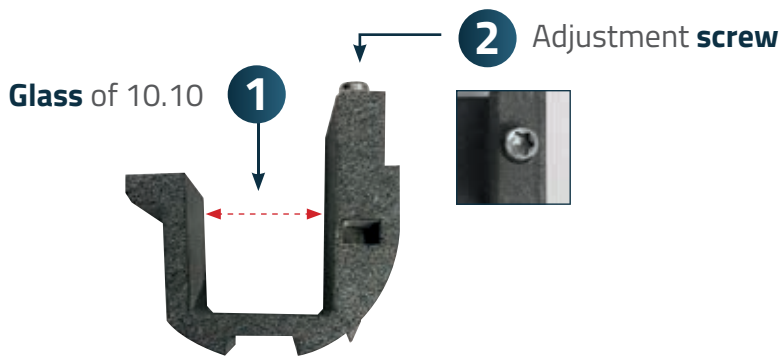
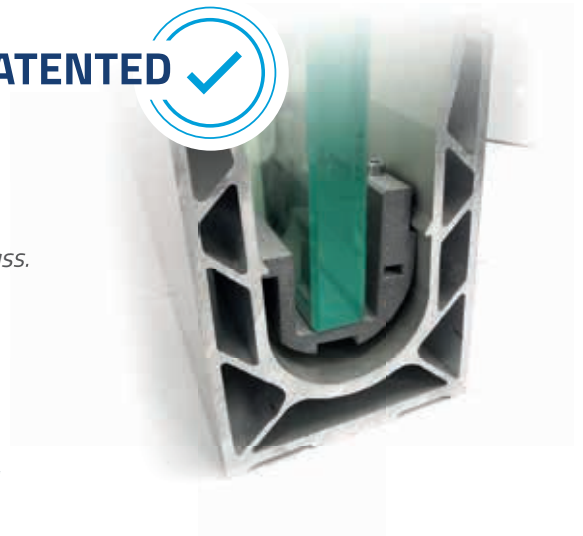
It has a double leveling feature!

Simply clip on two leveling tools spaced as far apart as possible, according to the length of the level being used.

PATENTED ✓

GLASS HEIGHT ADJUSTMENT WEDGE

The adjusting wedge ensures precise alignment of the top edge of the glass.



Ref. 0070K10RHT-V1

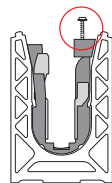
Glass thickness up to 10.10.

Set of 10 pieces

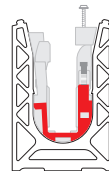
Advantage #1

Tighten, its fits!

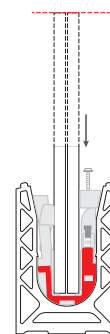
Alignment of the glass panels in one turn of the screw.



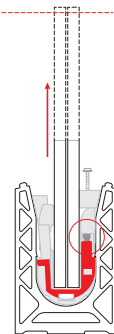
① Insert wedge clamps



② Insert height adjustment wedges



③ Insert glass panel

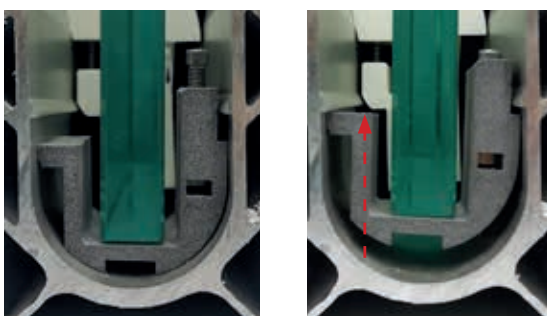


④ Adjust your glass by tightening the adjusting wedge. Tighten the wedges.

Advantage #2

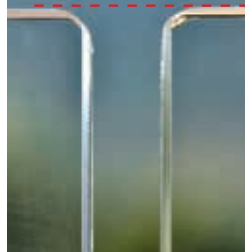
Perfect alignment without disassembling!

With this wedge, there is no need to shim your glass to adjust the height.

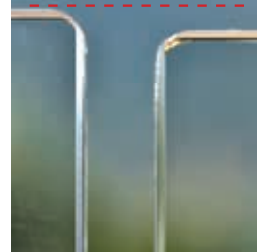


A PERFECT ALIGNMENT!

WITH ADJUSTING WEDGE



WITHOUT ADJUSTING WEDGE

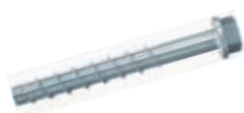


ACCESSORIES & TOOLS

FIXINGS

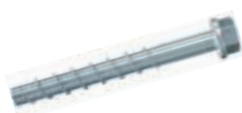
CONCRETE SCREW

Very high performance for permanent fastening into concrete.



Ref. 09FIX-VBAZ-10

Concrete screw 10x90
Zinc-plated steel
50 pieces



Ref. 09FIX-VBAZ-12

Concrete screw 12x110
Zinc-plated steel
20 pieces



Ref. 09FIX-VBA4-10

Concrete screw 10x90
Stainless steel A4
50 pieces



Ref. 09FIX-VBA4-12

Concrete screw 12x110
Stainless steel A4
20 pieces

DOWELS

High performance - Galvanised steel and A4 stainless steel



Ref. 09FIX-CDAZ-10

Socket dowel 10 x 70
Zinc plated steel
50 pieces



Ref. 09FIX-CDAZ-12

Sleeve dowel 12 x 90
Zinc plated steel
50 pieces



Ref. 09FIX-CDA4-10

Socket dowel 10 x 70
Stainless steel A4
50 pieces



Ref. 09FIX-CDA4-12

Socket dowel 12 x 90
Stainless steel A4
50 pieces

ANCHOR BOLT

For high demand. Heavy loads can be fixed in cracked concrete.



Ref. 09FIX-GAAZ-10

Anchor bolt 10 x 95
Galvanised steel
50 pieces



Ref. 09FIX-GAAZ-12

Anchor bolt 12 x 110
Galvanised steel
20 pieces



Ref. 09FIX-GAA4-10

Anchor bolt 10 x 95
Stainless steel A4
50 pieces



Ref. 09FIX-GAA4-12

Anchor bolt 12 x 110
Stainless steel A4
20 pieces

ACCESSORIES & TOOLS

CHEMICAL SEALANT KIT



Ref. 09FIX-SCAZ-10

Resin cartridge - chemical sealant M10 dowel galvanised steel
Hexagonal head screw M10x30 - Steel Washer Int. Ø10 - Ext. Ø 22 - Ht 02 - Steel



Ref. 09FIX-SCA4-10

Resin cartridge - chemical sealant M10 dowel A4 stainless steel
Hexagon head screw M10x30 - Stainless steel A4 Washer - Int. Ø10 - Ext. Ø 22 - Ht 02 Stainless steel A4

Ref. 09FIX-SCAZ-12

Resin cartridge - chemical sealant M12 dowel galvanised steel
Hexagon head screw M12x30 - Steel Washer - Int. Ø12 - Ext. Ø 27 - Ht 02.5 - Steel

Ref. 09FIX-SCA4-12

Resin cartridge - chemical sealant M12 dowel A4 stainless steel
Hexagon head screw M12x30 - A4 stainless steel Washer - Int. Ø12 - Ext. Ø 27 - Ht 02.5 Stainless steel A4

ACCESSORIES FOR MOUNTING



Ref. 09ACC-FIX-PI-SC

Manual chemical sealant gun



Ref. 09ACC-ECOUV10

Concrete swab - Ø10

Ref. 09ACC-ECOUV12

Concrete swab - Ø10 - Ø12

Ref. 09ACC-ECOUV16/18

Concrete swab - Ø10
Ø16 - Ø18



Ref. 09ACC-SOUF

Blow pump cleaning tool for drilling

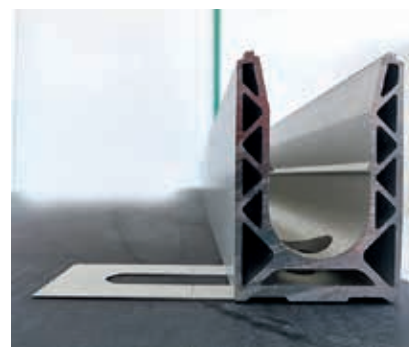
ACCESSORIES & TOOLS

SHIMS

Used to level the profile on uneven surfaces.



Ref. on request



ALIGNMENT PINS FOR PROFILE

Used to align the profiles and ensure the desired performance of the system.



Ref. 007PIN-06-50

For profile 8050



Ref. 007PIN-08-50

For profiles 7010
7011 / 7011R / 7013
7015 / 7018 / 7018L
7019



Ref. 007PIN-15-50

For profiles 7030 /
7031 / 7031R



Ref. : 007PIN-06-30

For profile 7017

90° CORNER CONNECTOR

Compatible with all rails except 8050/7018/7018L.

Ref. 0070CONN90V



ACCESSORIES & TOOLS



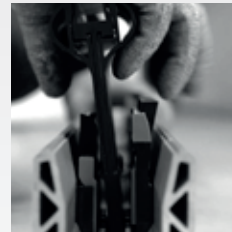
SABCO 3 IN 1 TOOL

The 3-in-1 One Side tool has 3 functions:



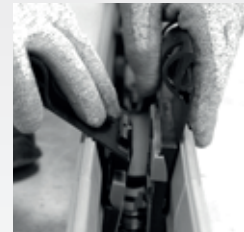
①

Checks the thickness of your glass.



②

Inserts the wedges inside the rail.



③

Makes wedge removal easy.



Ref. 007-OUT-1S

ONE SIDE assembly & disassembly tool.

SCREWDRIVER & BIT

The torque screwdriver is a precision tool with torque values from 0.4 to 2 Nm.



Ref. 007-TRVS-2NM

Torque screwdriver
(handle + bit)



Ref. 008-TRVS-1.4NM

Torque screwdriver
(handle + bit)



Ref. 007-TORX-T20/150

Torx bit
Size 25 - Tightening 2 Nm



Violet ring
Tightening 2 Nm

Tempered / hardened glass



Orange ring
Tightening 1.4 Nm

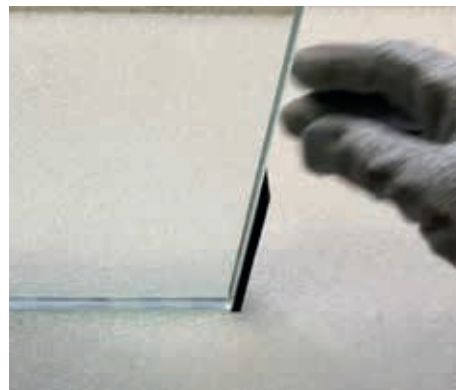
Glass float

Using the torque screwdriver is required to receive the minimum two year warranty.

ACCESSORIES & TOOLS

SPACERS

Spacers for use between glass panels - thickness 5 mm -
Black plastic Fixing: to be glued



Ref. 0080ESPAC12

Glass 06.06
8050 compatible

Ref. 0070ESPAC0808

Glass 08.08

Ref. 0070ESPAC1010

Glass 10.10

Ref. 0070ESPAC1212

Glass 12.12

Ref. 0070ESPAC1515

Glass 15.15

Ref. 0070ESPAC12

Glass 12 (06.06)

Ref. 0070ESPAC15

Glass 15

Ref. 0070ESPAC19

Glass 19

Ref. 007018ESPAC1212

Glass 12.12
7018 & 7018L compatible

Ref. 007018ESPAC1515

Glass 15.15
7018 & 7018L compatible

ADHESIVE TAPE

A high performance black acrylic adhesive foam tape for attaching claddings.



Ref. 0070ADDF-ALU-12-33

Double sided tape PR Aluminum
Thickness: 10 mm x 0.64 mm

ACCESSORIES & TOOLS

INSULATION TAPE

This tape has an adhesive backing which, when placed between two metal surfaces, prevents electrolytic reaction from occurring and this removes the risk of galvanic corrosion.



Ref. 007ISOL075-200

7010 & 7030 compatible

Ref. 007ISOL107-200

7011 & 7031 compatible

Galvanic corrosion protection strip pre-drilled.

Different widths are available depending on the surface of the profile. (on request).

CLEANING KIT



Ref. 7OUT-KITNET01

- Aluminum and stainless steel degreasing spray - 400 ml
- Microfibre cloth 300 x 500 mm

Ref. 7OUT-NET01

- Aluminum and stainless steel degreasing spray - 400 ml

LED SYSTEM

We offer you a complete accessory kit with waterproof LED lighting in different colors to illuminate your railing. Our engineers have developed a waterproof LED system that can be incorporated into the railing or inserted into the cladding. The different colors will help personalize your project.

The electrical installation for the lighting must be carried out by a professional licensed electrician.

LED RIBBON

9,6 W/m - 24V - 120 LED/m - l. 5 m



Ref. 007-LED-BLC-CHD-5M

Warm white



Ref. 007-LED-BLC-NTR-5M

Neutral white



Ref. 007-LED-BLC-FRD-5M

Cool white



Ref. 007-LED-JAUNE-5M

Yellow



Ref. 007-LED-VERT-5M

Green



Ref. 007-LED-BLEU-5M

Blue



Ref. 007-LED-ROUGE-5M

Red

HOLDING WEDGE

LED ribbon holding wedge



Ref. 0070CALE-LED

Only for glazing 6.6

POWER SUPPLY

AC 230V / DC 24V power supply
US compatible - 5 meters



Ref. 007-ALIM230/24-60	60 W
Ref. 007-ALIM230/24-100	100 W
Ref. 007-ALIM230/24-150	150 W
Ref. 007-ALIM230/24-240	240 W
Ref. 007-ALIM230/24-300	300 W

PLUG

Silicone sealing plug



Ref. 007-FLEX-BCH-ALIM
Ref. 007-FLEX-BCH-FIN

Sold individually





RANGE

HANDRAILS & ASSOCIATED ACCESSORIES

Glass edge protection	134
Groove handrails	138
LED OPTION	145
Tubular	146

HANDRAILS

We have added to our range of handrails to help you make your product both regulatory compliant and aesthetically pleasing. We offer three different styles:



GLASS EDGE PROTECTION



GROOVE HANDRAILS



TUBULAR

PERFECT ALIGNMENT OF GLASS

Not only does it protect the edges of the glass panels, it also adjusts the alignment of the glass panels to make a perfect guardrail!



The choice is yours!

SHAPES:



MATERIALS:



WOOD,
an eco-friendly and natural choice.

- Raw and natural material
- Easy change of color (*varnish or paint*)
- Warm aspect

INTERIOR



ALUMINUM,
a modern look

- Resistant and sustainable material (*recycled and 100% recyclable*)
- Simple but effective
- Low maintenance (*sadev cleaning kit*)

INDOOR & OUTDOOR



STAINLESS STEEL,
contemporary style

- Durable
- Resistant to changes in temperature
- Anti-corrosion
- Low maintenance (*sadev cleaning kit*)

STAINLESS STEEL 316 - OUTDOOR : effective in hostile environments

STAINLESS STEEL 304 - INTERIOR

FINISHES:



ANODIZED
ALUMINUM



BRUSHED
STAINLESS
STEEL EFFECT



BRUSHED
STAINLESS
STEEL



RAL COLORS



BEECH



OAK

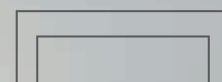
ASSOCIATED ACCESSORIES:

All of our handrails have their own **custom accessories** for a perfect fit.



HANDRAIL

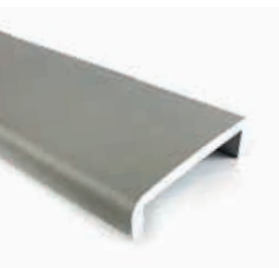
GLASS EDGE PROTECTION



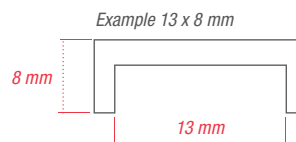
PROFILE ALUMINUM

Dimensions: 13 x 8 mm
Thickness of glass: 13.5

GLASS EDGE PROTECTION



PROFILE ALUMINUM



Finish:  ANODIZED ALUMINUM

Ref. 0010201308250-01	Dim. 13 x 8 mm	Glass th. 12.7	L. 2 500 mm	0010201308500-01	Dim. 13 x 8 mm	Glass th. 12.7	L. 5 000 mm
0010201408250-01	Dim. 14 x 8 mm	Glass th. 13.5	L. 2 500 mm	0010201408500-01	Dim. 14 x 8 mm	Glass th. 13.5	L. 5 000 mm
0010201708250-01	Dim. 17 x 8 mm	Glass th. 16.7	L. 2 500 mm	0010201708500-01	Dim. 17 x 8 mm	Glass th. 16.7	L. 5 000 mm
0010201908250-01	Dim. 19 x 8 mm	Glass th. 17.5	L. 2 500 mm	0010201908500-01	Dim. 19 x 8 mm	Glass th. 17.5	L. 5 000 mm
0010202308250-01	Dim. 23 x 8 mm	Glass th. 21.5	L. 2 500 mm	0010202308500-01	Dim. 23 x 8 mm	Glass th. 21.5	L. 5 000 mm
0010202708250-01	Dim. 27 x 8 mm	Glass th. 25.5	L. 2 500 mm	0010202708500-01	Dim. 27 x 8 mm	Glass th. 25.5	L. 5 000 mm

Finish:  BRUSHED STAINLESS STEEL EFFECT

Ref. 0010201308250-02	Dim. 13 x 8 mm	Glass th. 12.7	L. 2 500 mm	0010201308500-02	Dim. 13 x 8 mm	Glass th. 12.7	L. 5 000 mm
0010201408250-02	Dim. 14 x 8 mm	Glass th. 13.5	L. 2 500 mm	0010201408500-02	Dim. 14 x 8 mm	Glass th. 13.5	L. 5 000 mm
0010201708250-02	Dim. 17 x 8 mm	Glass th. 16.7	L. 2 500 mm	0010201708500-02	Dim. 17 x 8 mm	Glass th. 16.7	L. 5 000 mm
0010201908250-02	Dim. 19 x 8 mm	Glass th. 17.5	L. 2 500 mm	0010201908500-02	Dim. 19 x 8 mm	Glass th. 17.5	L. 5 000 mm
0010202308250-02	Dim. 23 x 8 mm	Glass th. 21.5	L. 2 500 mm	0010202308500-02	Dim. 23 x 8 mm	Glass th. 21.5	L. 5 000 mm
0010202708250-02	Dim. 27 x 8 mm	Glass th. 25.5	L. 2 500 mm	0010202708500-02	Dim. 27 x 8 mm	Glass th. 25.5	L. 5 000 mm

Finish:  RAL COLORS

Ref. 0010201308250-03	Dim. 13 x 8 mm	Glass th. 12.7	L. 2 500 mm	0010201308500-03	Dim. 13 x 8 mm	Glass th. 12.7	L. 5 000 mm
0010201408250-03	Dim. 14 x 8 mm	Glass th. 13.5	L. 2 500 mm	0010201408500-03	Dim. 14 x 8 mm	Glass th. 13.5	L. 5 000 mm
0010201708250-03	Dim. 17 x 8 mm	Glass th. 16.7	L. 2 500 mm	0010201708500-03	Dim. 17 x 8 mm	Glass th. 16.7	L. 5 000 mm
0010201908250-03	Dim. 19 x 8 mm	Glass th. 17.5	L. 2 500 mm	0010201908500-03	Dim. 19 x 8 mm	Glass th. 17.5	L. 5 000 mm
0010202308250-03	Dim. 23 x 8 mm	Glass th. 21.5	L. 2 500 mm	0010202308500-03	Dim. 23 x 8 mm	Glass th. 21.5	L. 5 000 mm
0010202708250-03	Dim. 27 x 8 mm	Glass th. 25.5	L. 2 500 mm	0010202708500-03	Dim. 27 x 8 mm	Glass th. 25.5	L. 5 000 mm

GLASS EDGE PROTECTION



PROFILE **STAINLESS STEEL 316**

Dimensions: **14 x 10mm (0.55x0.39 in)**
Glass thickness: **13.5**

Ref. 0010201410300A4 L. 3 000mm
(118.11 in)

Dimensions: **22 x 10mm (0.86x0.39 in)**
Glass thickness: **19 / 21.5**

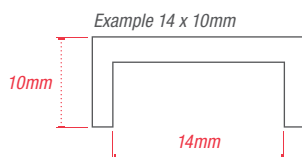
Ref. 0010202210300A4 L. 3 000mm
(118.11 in)

Dimensions: **18 x 10mm (0.70x0.39 in)**
Glass thickness: **17.5**

Ref. 0010201810300A4 L. 3 000mm
(118.11 in)

Dimensions: **26 x 10mm (1.02x0.39 in)**
Glass thickness: **25.5**

Ref. 0010202610300A4 L. 3 000mm
(118.11 in)



CONNECTOR **STAINLESS STEEL 316**

Dimensions: **50 x 60mm (1.96x2.36 in)**
Glass thickness: **11.9 > 13.9**

Ref. 009REL5060-12-9/16

Dimensions: **50 x 60mm (1.96x2.36 in)**
Glass thickness: **20.2 > 21.6**

Ref. 009REL5060-21.5

Dimensions: **50 x 60mm (1.96x2.36 in)**
Glass thickness: **16.2 > 17.6**

Ref. 009REL5060-17.5

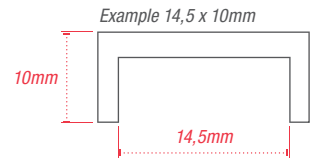




PROFILE WOOD

Material: ● OAK

Ref. 0010202410240W10	Dim. 14.5 x 10mm	Glass th. 6.6	L. 2 400mm
0010202810240W10	Dim. 18.5 x 10mm	Glass th. 8.8	L. 2 400mm
0010203210240W10	Dim. 22.5 x 10mm	Glass th. 10.10	L. 2 400mm



Material: ● BEECH

Ref. 0010202410240W20	Dim. 14.5 x 10mm	Glass th. 6.6	L. 2 400mm
0010202810240W20	Dim. 18.5 x 10mm	Glass th. 8.8	L. 2 400mm
0010203210240W20	Dim. 22.5 x 10mm	Glass th. 10.10	L. 2 400mm

Dimensions in millimeters

14.5 x 10mm	18.5 x 10mm	22.5 x 10mm	2 400mm
0.57 x 0.39 in	0.72 x 0.39 in	0.49 x 0.39 in	94.48 in

Dimensions in inches

ACCESSORIES



ANGLE WOOD

Material: ● OAK

Dimensions: **100 x 100mm (3.93x3.93 in)**

Ref. 001020231029W10	Glass th. 6.6
001020281029W10	Glass th. 8.8
001020321029W10	Glass th. 10.10

Material: ● BEECH

Dimensions: **100 x 100mm (3.93x3.93 in)**

Ref. 001020231029W20	Glass th. 6.6
001020281029W20	Glass th. 8.8
001020321029W20	Glass th. 10.10

FASTENING MATERIAL

DOUBLE SIDED
ADHESIVE TAPE
12mm x 18m

Ref. 0010ADDF-B01-12-18

HANDRAIL

GROOVE



TUBE **WOOD**

Diameter: 42 (1,65)
Glass thickness: 8.8



TUBE **ALUMINUM**

Diameter: **50mm (1.96 in)**

Ref. 00102050500AL01 L. 5 000mm (196.85 in)



ANODIZED ALUMINUM

00102050500AL02 L. 5 000mm (196.85 in)



BRUSHED STAINLESS STEEL EFFECT

ACCESSORIES



GASKET

Glass thickness: **8.8/4**

Ref. 001024AL175 L. 1 000mm (196.85 in)


Glass thickness: **10.10/4**

Ref. 001024AL215 L. 1 000mm (196.85 in)



CAP **ALUMINUM**

Diameter: **50mm (1.96)**

Ref. 00102050B0AL01  ANODIZED ALUMINUM

Ref. 00102050B0AL02  BRUSHED STAINLESS STEEL EFFECT



90° CONNECTOR

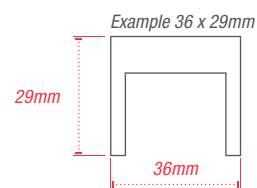
Dimensions: **100 x 100mm (3.93x3.93 in)**

Ref. 00102029



GROOVE





TUBE ALUMINUM



Dimensions: **48 x 37mm (1.88x1.45 in)**

Ref. 0010204837500AL01	 ANODIZED ALUMINUM	L. 5 000mm (196.85 in)
0010204837500AL02	 BRUSHED STAINLESS STEEL EFFECT	L. 5 000mm (196.85 in)

Dimensions: **36 x 29mm (1.41x1.14 in)**

Ref. 0010203629500AL01	 ANODIZED ALUMINUM	L. 5 000mm (196.85 in)
0010203629500AL02	 BRUSHED STAINLESS STEEL EFFECT	L. 5 000mm (196.85 in)

ACCESSORIES



GASKET

Glass thickness: **8.8/4**

Glass thickness: **10.10/4**

Ref. 001024AL175	L. 1 000mm (196.85 in)	Ref. 001024AL215	L. 1 000mm (196.85 in)
------------------	------------------------	------------------	------------------------



CAP ALUMINUM

Finish:  ANODIZED ALUMINUM

Ref. 0010203629B0AL01	Dim. 36 x 29mm (1.41 x 1.14 in)
0010204837B0AL01	Dim. 48 x 37mm (1.88 x 1.45 in)

Finish:  BRUSHED STAINLESS STEEL EFFECT

Ref. 0010203629B0AL02	Dim. 36 x 29mm (1.41 x 1.14 in)
0010204837B0AL02	Dim. 48 x 37mm (1.88 x 1.45 in)



90° CONNECTOR

Dimensions: **100 x 100mm (3.93x3.93 in)**

Ref. 00102029



TUBE

STAINLESS STEEL 304

Ref. 00102042500	∅ 42mm (1.65 in)	L. 5 000mm (196.85 in)
00102048500	∅ 48mm (1.88 in)	L. 5 000mm (196.85 in)
00102060500	∅ 60mm (2.36 in)	L. 5 000mm (196.85 in)

STAINLESS STEEL 316

Ref. 00102042500A4	∅ 42mm (1.65 in)	L. 5 000mm (196.85 in)
00102048500A4	∅ 48mm (1.88 in)	L. 5 000mm (196.85 in)
00102060500A4	∅ 60mm (2.36 in)	L. 5 000mm (196.85 in)

ACCESSORIES



GASKET

Glass thickness: 10 > 13.5

Ref. 00102410135	∅ 42.4mm (1.66 in)
00102910135	∅ 48.3mm (1.90 in)

Glass thickness: 15 > 17.5

Ref. 001024175	∅ 42.4mm (1.66 in)
00102915175	∅ 48.3mm (1.90 in)
00103415175	∅ 60.3mm (2.37 in)

Glass thickness: 21 > 25.5

Ref. 00102921255	∅ 48.3mm (1.90 in)
00103421255	∅ 60.3mm (2.37 in)

Glass thickness: 19 > 21.5

Ref. 00102419215	∅ 42.4mm (1.66 in)
00102919215	∅ 48.3mm (1.90 in)
00103419215	∅ 60.3mm (2.37 in)



CAP

STAINLESS STEEL 304

Ref. 0010204210	∅ 42mm (1.65 in)
0010204810	∅ 48mm (1.88 in)
0010206010	∅ 60mm (2.36 in)

STAINLESS STEEL 316

Ref. 0010204210A4	∅ 42mm (1.65 in)
0010204810A4	∅ 48mm (1.88 in)
0010206010A4	∅ 60mm (2.36 in)

ACCESSORIES



90° CONNECTOR

STAINLESS STEEL 304

Ref. 0010204229	∅ 42mm (1.65 in)
0010204829	∅ 48mm (1.88 in)
0010206029	∅ 60mm (1.88 in)

STAINLESS STEEL 316

Ref. 0010204229A4	∅ 42mm (1.65 in)
0010204829A4	∅ 48mm (1.88 in)
0010206029A4	∅ 60mm (1.88 in)



180° CONNECTOR

STAINLESS STEEL 304

Ref. 0010204220	∅ 42mm (1.65 in)
0010204820	∅ 48mm (1.88 in)
0010206020	∅ 60mm (1.88 in)

STAINLESS STEEL 316

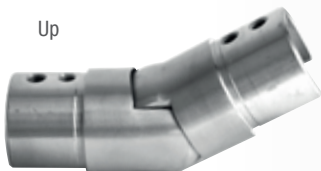
Ref. 0010204220A4	∅ 42mm (1.65 in)
0010204820A4	∅ 48mm (1.88 in)
0010206020A4	∅ 60mm (1.88 in)



WALL CONNECTOR **STAINLESS STEEL 304**

Ref. 0010204211	∅ 42mm (1.65 in)
0010204811	∅ 48mm (1.88 in)

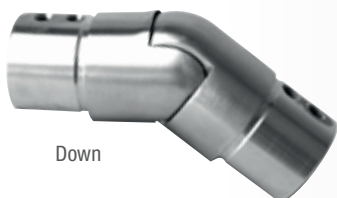
Up



ARTICULATED JOINT **STAINLESS STEEL 304**

Ref. 00102042291 (Up)	∅ 42mm (1.65 in)	Angle 25 - 55°
00102042292 (Down)		

Down



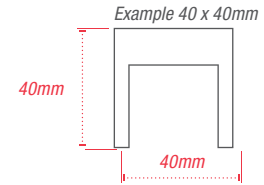
GROOVE



TUBE **STAINLESS STEEL 316**

Dimensions: **40 x 40mm (1.57x1.57 in)**

Ref. 0010204040600A4 L. 6 000mm (236.22 in)



ACCESSORIES



GASKET

Glass thickness: **6.6**

Ref. 001024135 L. 5 000mm (196.85 in)

Glass thickness: **8.8**

Ref. 001024175 L. 5 000mm (196.85 in)

Glass thickness: **10.10**

Ref. 001024215 L. 5 000mm (196.85 in)



90° CONNECTOR **STAINLESS STEEL 316**

Dimensions: **40 x 40mm (1.57x1.57 in)**

Ref. 001020404029A4



180° CONNECTOR **STAINLESS STEEL 316**

Dimensions: **40 x 40mm (1.57x1.57 in)**

Ref. 001020404020A4

GROOVE

ACCESSORIES



CAP **STAINLESS STEEL 316**

Dimensions: **40 x 40mm (1.57x1.57 in)**

Ref. 001020404010A4



ARTICULATED JOINT **STAINLESS STEEL 316**

Dimensions: **40 x 40mm (1.57x1.57 in)**

Ref. 0010304040291A4	Descente
0010304040292A4	Monté



WALL CONNECTOR **STAINLESS STEEL 316**



Dimensions: **40 x 40mm (1.57x1.57 in)**

Ref. 001030404011A4



TUBE **WOOD**

Diameter : **42 mm** | Thickness of glass **8.8**

Ref. 00102042180W10B	L. 1 800 mm	 OAK
00102042180W20B		 BEECH

FASTENING MATERIAL



DOUBLE SIDED ADHESIVE TAPE
12 mm x 18 m

Ref. 0010ADDF-B0I-12-18



TUBE **WOOD**

Dimensions: **40 x 40 mm** | Thickness of glass **8.8**

Ref. 0010204040180W10B	L. 1 800 mm	 OAK
0010204040180W20B		 BEECH

Wooden handrails of
60 mm x 40 mm are
available on request.

LED OPTION



TUBE

STAINLESS STEEL 304

Ref. 00102042500 \varnothing 42mm (1.65 in) L. 5 000mm (196.85 in)

STAINLESS STEEL 316

Ref. 00102042500A4 \varnothing 42mm (1.65 in) L. 5 000mm (196.85 in)



WALL BRACKET - FIXED - LED **STAINLESS STEEL 304**

Ref. 00106000

ACCESSORIES



LED PROFILE - PVC

Ref. 0010LED1-PROFSUP L. 2 000mm (78.74 in)



CLIP CONNECTOR

Ref. 0010LED1-CON1CLIP

These 2 elements can be connected by welding.



LED DIFFUSER COVER - PVC

Ref. 0010LED1-CAPODIFF



CLIP CONNECTOR

Ref. 0010LED1-CON2

To linearly join two LED strips.



LED STRIP

Ref. 0010LED1-BLCNTR5M L. 5 000mm (196.85 in)



CONNECTOR TO BE WELDED

Ref. 0010LED1-CONSOUD



CAP

Ref. 0010LED1-B0

FASTENING MATERIAL

DOUBLE SIDED ADHESIVE TAPE - 15mm x 1.5m
Ref. 0010ADDF-VER-12-25

HANDRAIL TUBULAR



TUBE

STAINLESS STEEL 304

Diameter: 48.3 (1,90 in)

GROOVE

TUBE



STAINLESS STEEL 304

Ref. 00103033200	∅ 33.7mm	L. 2 000mm
00103033400	∅ 33.7mm	L. 4 000mm
00103033600	∅ 33.7mm	L. 6 000mm
Ref. 00103042200	∅ 42.4mm	L. 2 000mm
00103042400	∅ 42.4mm	L. 4 000mm
00103042600	∅ 42.4mm	L. 6 000mm
Ref. 00103048200	∅ 48.3mm	L. 2 000mm
00103048400	∅ 48.3mm	L. 4 000mm
00103048600	∅ 48.3mm	L. 6 000mm

STAINLESS STEEL 316

Ref. 00103033200A4	∅ 33.7mm	L. 2 000mm
00103033400A4	∅ 33.7mm	L. 4 000mm
00103033600A4	∅ 33.7mm	L. 6 000mm
Ref. 00103042200A4	∅ 42.4mm	L. 2 000mm
00103042400A4	∅ 42.4mm	L. 4 000mm
00103042600A4	∅ 42.4mm	L. 6 000mm
Ref. 00103048200A4	∅ 48.3mm	L. 2 000mm
00103048400A4	∅ 48.3mm	L. 4 000mm
00103048600A4	∅ 48.3mm	L. 6 000mm

Dimensions in millimeters

Dimensions in inches

33,7mm	42,4mm	48,3mm	2 000mm	4 000mm	6 000mm
1.32 in	1.66 in	1.90 in	78.74 in	157.48 in	236.22 in

ACCESSORIES



CAP

STAINLESS STEEL 304

Ref. 0010303310	∅ 33.7mm
0010304210	∅ 42.4mm
0010304810	∅ 48.3mm

STAINLESS STEEL 316

Ref. 0010303310A4	∅ 33.7mm
0010304210A4	∅ 42.4mm
0010304810A4	∅ 48.3mm



90° CONNECTOR

STAINLESS STEEL 304

Ref. 0010303329	∅ 33.7mm
0010304229	∅ 42.4mm
0010304829	∅ 48.3mm

STAINLESS STEEL 316

Ref. 0010303329A4	∅ 33.7mm
0010304229A4	∅ 42.4mm
0010304829A4	∅ 48.3mm



180° CONNECTOR

STAINLESS STEEL 304

Ref. 0010303320	∅ 33.7mm
0010304220	∅ 42.4mm
0010304820	∅ 48.3mm

STAINLESS STEEL 316

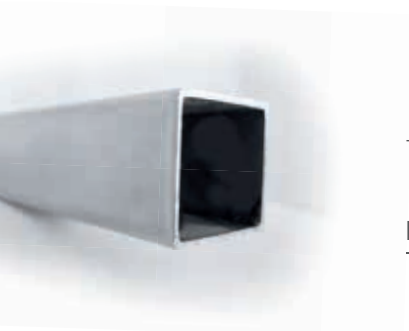
Ref. 0010303320A4	∅ 33.7mm
0010304220A4	∅ 42.4mm
0010304820A4	∅ 48.3mm



WALL CONNECTOR **STAINLESS STEEL 304**

Ref. 0010304211	∅ 42mm (1.65 in)
-----------------	------------------

GROOVE



TUBE **STAINLESS STEEL 304**

Dimensions: **40 x 40mm (1.57x1.57 in)**

Ref. 0010304040300 L. 3 000mm (118.11 in)

ACCESSORIES



CAP **STAINLESS STEEL 304**

Dimensions: **40 x 40mm (1.57x1.57 in)**

Ref. 001030404010



WALL CONNECTOR **STAINLESS STEEL 304**

Dimensions: **40 x 40mm (1.57x1.57 in)**

Ref. 001030404011A4



90° CONNECTOR **STAINLESS STEEL 304**

Dimensions: **40 x 40mm (1.57x1.57 in)**

Ref. 001030404029



180° CONNECTOR **STAINLESS STEEL 304**

Dimensions: **40 x 40mm (1.57x1.57 in)**

Ref. 001030404020

GROOVE



TUBE WOOD

Diameter: **42mm (1.65 in)**

Ref. 00103042180W10

L. 1 800mm
(70.86 in)



OAK

00103042180W20



BEECH

ACCESSORIES



END CAP STAINLESS STEEL 304

Diameter: **42mm (1.65 in)**

Ref. 0010304210W



CONNECTOR STAINLESS STEEL 304

Diameter: **42mm (1.65 in)**

Ref. 00100304220W



90° FEMALE CONNECTOR STAINLESS STEEL 304

Diameter: **42mm (1.65 in)**

Ref. 0010304229W



PLASTIC SUPPORT

Diameter: **42mm (1.65 in)**

Ref. 0010304200W



BRACKET
HANDRAIL/GLASS

STAINLESS STEEL 304

Glass thickness: 12 > 17.5

GROOVE



HANDRAIL BRACKET ON GLASS STAINLESS STEEL 304

Drilling: **Countersunk**

Glass thickness: **11.5 > 13.5**

Ref. 00101006111004

Glass thickness: **14 > 15.5**

Ref. 00101006111006

Glass thickness: **16 > 17.5**

Ref. 0010100611110

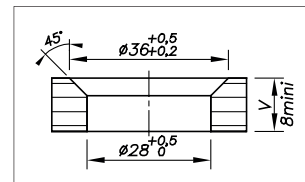
Glass thickness: **18 > 19.5**

Ref. 0010100611112

Glass thickness: **20**

Ref. 0010100611114

Drilling Plan Countersunk



Drilling: **Cylindrical**

Glass thickness: **10 > 12**

Ref. 001010062412

Glass thickness: **13 > 15.5**

Ref. 001010062414

Glass thickness: **16 > 17.5**

Ref. 001010062420

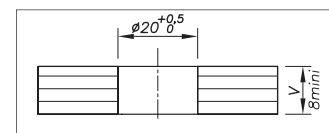
Glass thickness: **18 > 19.5**

Ref. 001010062422

Glass thickness: **20**

Ref. 001010062424

Drilling Plan Cylindrical



HANDRAIL BRACKET ON GLASS STAINLESS STEEL 304

Drilling: **Countersunk**

Glass thickness: **10 > 10.5**

Ref. 001020061116

Glass thickness: **16 > 19.5**

Ref. 001020061120

Glass thickness: **20 > 21.5**

Ref. 001020061124

Drilling: **Cylindrical**

Glass thickness: **10 > 10.5**

Ref. 001020062424

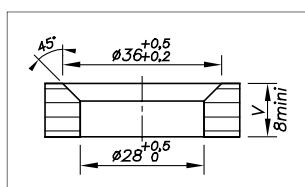
Glass thickness: **16 > 19.5**

Ref. 001020062432

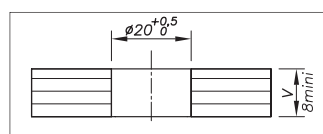
Glass thickness: **20 > 21.5**

Ref. 001020062436

Drilling Plan Countersunk



Drilling Plan Cylindrical





ADJUSTABLE HANDRAIL BRACKET

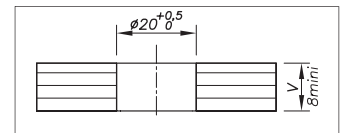
STAINLESS STEEL 304

For cylindrical handrail

Glass thickness: 8 > 18

Ref. 00104000-0818

Drilling Plan Cylindrical



ADJUSTABLE HANDRAIL BRACKET

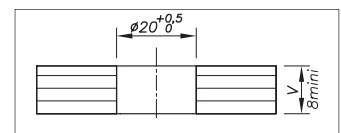
STAINLESS STEEL 304

For flat handrail

Glass thickness: 8 > 18

Ref. 00104500-0818

Drilling Plan Cylindrical



CLAMPED HANDRAIL SUPPORT

STAINLESS STEEL 304

For cylindrical handrail

Glass thickness: 12 > 17.5

Ref. 00101030-1218

Glass thickness: 18 > 25.5

Ref. 00101030-1926



FIXED HANDRAIL BRACKET
WALL **STAINLESS STEEL 304**

For flat handrail

Ref. 00105000



FIXED HANDRAIL BRACKET
For cylindrical handrail

STAINLESS STEEL 304

STAINLESS STEEL 316

Ref. 00101000

Ref. 00101000A4



ADJUSTABLE HANDRAIL BRACKET
WALL **STAINLESS STEEL 304**

For cylindrical handrail

Ref. 00101500

OUR CSR APPROACH

«Let's act together to reduce our environmental footprint.»

As part of our sustainable vision, and with our signature «We Build the invisible», **our ambition is to make the invisible reflect our environmental footprint.**

SADEV develops and differentiates itself **by should be optimizing its ecological footprint** and increasing its contribution **to people's well-being**. This commitment is only possible **with the involvement** of everyone: **our employees, customers, partners and suppliers.**

REDUCED FOOTPRINT

The Ecological and Footprint is both an indicator and a method of environmental assessment that compiles an account of pressure exerted by humans on natural resources and the «ecological services» provided by nature.

Reducing our ecological footprint is at the heart of every choice we make.



ECO DESIGN

The Eco Design of our parts and systems ensures that the raw materials used are optimized for strength and durability.

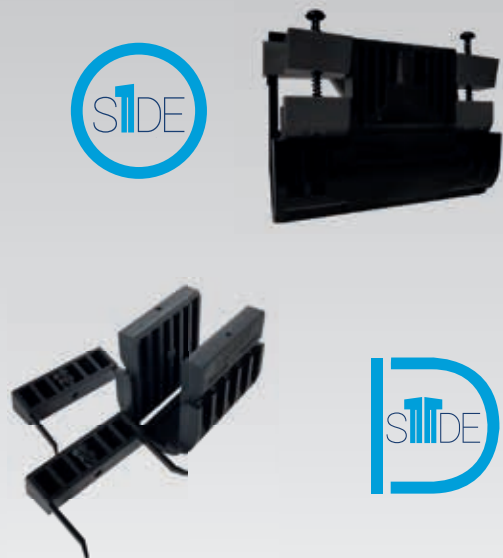
For this reason, our wedges are made from a thermoplastic polymer known as ABS (Acrylonitrile Butadiene Styrene).

This material has many advantages:

- ▶ **HIGHLY RECYCLABLE**
- ▶ **IMPACT RESISTANCE**
- ▶ **STRONG RESISTANCE TO TEMPERATURES**
(FROM -20°C TO +80°C)
- ▶ **HIGH DURABILITY**

Accelerated aging and salt spray tests on our wedges guarantee the performance of the SABCO system over time under the most extreme conditions:

Test reports: BEB6.F.3021 - BEB6.L.3026



THINK ABOUT
RECYCLING!
SABCO

Protect your future as well.

**The packaging used for our wedges
is planet-friendly.**



Printing with plant-based ink

*Plant-based use of a soy bean
or vegetable oil base instead of oil.*

Recyclable cardboard




MADE IN FRANCE

Our products and packaging are made in France!

When choosing our suppliers, **we support France's economy** by sourcing locally and **saving time with the delivery of our products to our customers.**

Local employment is part of our philosophy.

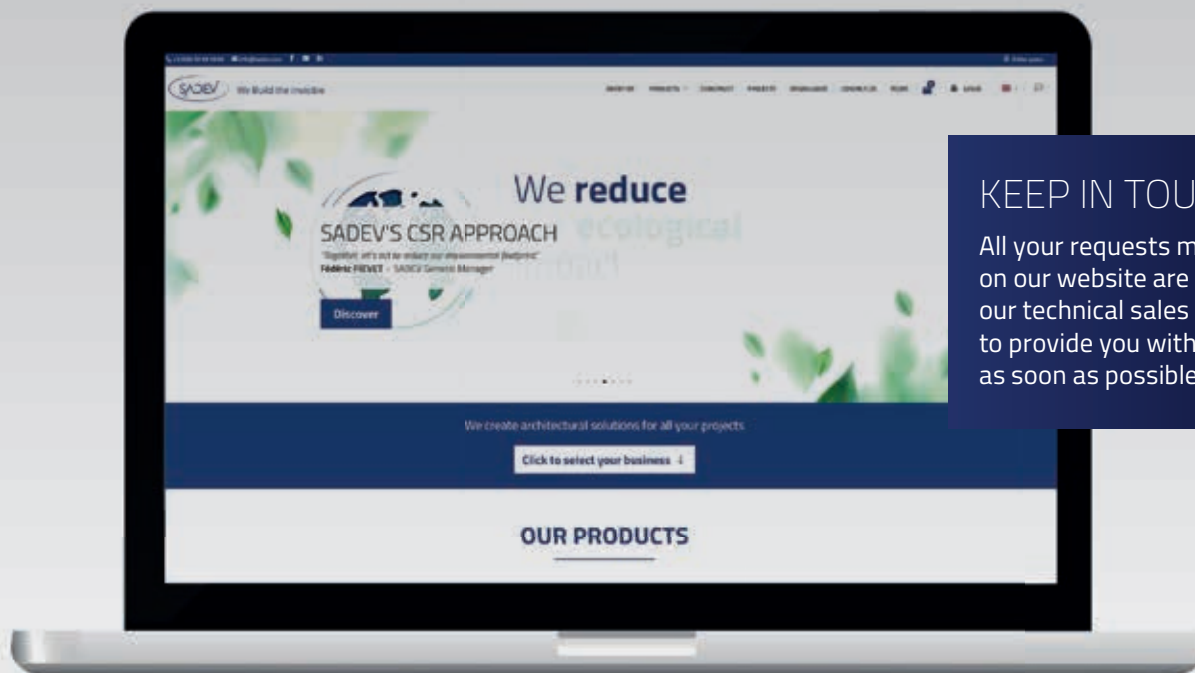
We work **regularly with a sheltered workshop** (production units that hire people recognized as disabled and guided towards sheltered employment) for the assembly of our parts.



Discover our digital toolbox!

A new site designed to meet the needs of our customers.

De many features are now available to help you access all the information and support you need: 24 hours a day, 7 days a week.

**KEEP IN TOUCH!**

All your requests made on our website are processed by our technical sales teams in order to provide you with an answer as soon as possible.

**CUSTOMER ACCOUNT**

Create your customer account now to get access to all the features of the site.

➤ *Section: my-account*

**ONLINE QUOTE**

An online quotation, nothing could be easier!

Choose your products and add them to your quote request, which you will find in your folder in the menu.

**GUARANTEE**

All of our products come **with a standard two-year warranty.**

To arrange this, simply register on our site.

➤ *Section: maintenance-and-warranty*

**DOWNLOADS**

Certifications, Catalogs, DWG and BIM files, installation instructions, product sheets etc. All our documents can be downloaded on-line.

➤ *Section: downloads*

STAY INFORMED

NEWSLETTER

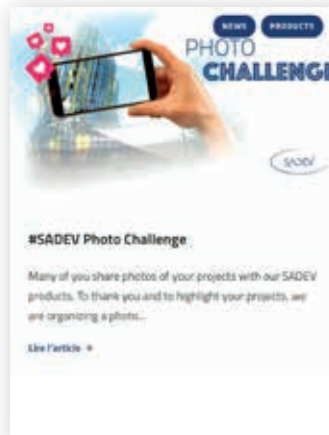
Sign up for our newsletter so that you don't miss any information, such as new product releases, promotions, latest videos or project news and much more!

[SUBSCRIBE](#)

NEWS

If you want information on the latest news about the company and its products, go to the NEWS section!

[Section: news](#)



VIDÉOS - SUBSCRIBE TO SADEV TV!



Watch our latest installation or product test videos, project videos and events.

They can be found in the NEWS section of the website or directly on our YOUTUBE channel.



SOCIAL NETWORKS

Find us on social networks as well, to exchange on the latest news via #SADEV.



[SADEV We Build The Invisible](#)

THE PROJECT LIBRARY

Discover the showcase of all the projects successfully completed with our clients. Want to publish a project (made with SADEV parts) on our website to increase visibility?

Just send an email to contact@sadev.com.

INDEX

RÉF. / REF.	PAGE
00101000	153
00101500	153
00102029	139
00102029	140
00105000	153
00106000	145
001024135	143
001024175	141
001024175	143
001024215	143
0010204210	141
0010204211	142
0010204220	142
0010204229	142
0010204810	141
0010204811	142
0010204820	142
0010204829	142
0010206010	141
0010206020	142
0010206029	142
0010303310	147
0010303310	147
0010303320	147
0010303329	147
0010304210	147
0010304210	147
0010304211	147
0010304220	147
0010304229	147
0010304810	147
0010304810	147
0010304820	147
0010304829	147
00102042291	142
00102042292	142
00102042500	141
00102042500	145
00102048500	141
00102060500	141
00102410135	141
00102419215	141
00102910135	141
00102915175	141
00102919215	141
00102921255	141
00103033200	147
00103033400	147

RÉF. / REF.	PAGE
00103033600	147
00103042200	147
00103042400	147
00103042600	147
00103048200	147
00103048400	147
00103048600	147
00103415175	141
00103419215	141
00103421255	141
001010061110	151
001010061112	151
001010061114	151
001010062412	151
001010062414	151
001010062420	151
001010062422	151
001010062424	151
001020061116	151
001020061120	151
001020061124	151
001020062424	151
001020062432	151
001020062436	151
001030404010	148
001030404020	148
001030404029	148
0010304040300	148
00101006111004	151
00101006111006	151
09ACC-ECOUV10	123
09FIX-SCA4-12	123
09FIX-VBAZ-12	122
00100304220W	149
00101000A4	153
00101030-1218	152
00101030-1926	152
0010201308250-01	135
0010201308250-02	135
0010201308250-03	135
0010201308500-01	135
0010201308500-02	135
0010201308500-03	135
0010201408250-01	135
0010201408250-02	135
0010201408250-03	135
0010201408500-01	135
0010201408500-02	135
0010201408500-03	135
0010201410300A4	136
0010201708250-01	135
0010201708250-02	135

RÉF. / REF.	PAGE
0010201708250-03	135
0010201708500-01	135
0010201708500-02	135
0010201708500-03	135
0010201810300A4	136
0010201908250-01	135
0010201908250-02	135
0010201908250-03	135
0010201908500-01	135
0010201908500-02	135
0010201908500-03	135
0010202210300A4	136
0010202308250-01	135
0010202308250-02	135
0010202308250-03	135
0010202308500-01	135
0010202308500-02	135
0010202308500-03	135
001020231029W10	137
001020231029W20	137
0010202410240W10	137
0010202410240W20	137
0010202610300A4	136
0010202708250-01	135
0010202708250-02	135
0010202708250-03	135
0010202708500-01	135
0010202708500-02	135
0010202708500-03	135
0010202810240W10	137
0010202810240W20	137
001020281029W10	137
001020281029W20	137
0010203210240W10	137
0010203210240W20	137
001020321029W10	137
001020321029W20	137
0010203629500AL01	140
0010203629500AL02	140
0010203629B0AL01	140
0010203629B0AL02	140
001020404010A4	143
0010204040180W10B	143
0010204040180W20B	143
001020404020A4	143
001020404029A4	143
0010204040600A4	143
0010204210A4	141
00102042180W10B	143
00102042180W20B	143
0010204220A4	142
0010204229A4	142

RÉF. / REF.	PAGE
00102042500A4	141
00102042500A4	145
0010204810A4	141
0010204820A4	142
0010204829A4	142
0010204837500AL01	140
0010204837500AL02	140
0010204837B0AL01	140
0010204837B0AL02	140
00102048500A4	141
00102050500AL01	139
00102050500AL02	139
00102050B0AL01	139
00102050B0AL02	139
0010206010A4	141
0010206020A4	142
0010206029A4	142
00102060500A4	141
001024AL175	139
001024AL175	140
001024AL215	139
001024AL215	140
0010303310A4	147
0010303310A4	147
00103033200A4	147
0010303320A4	147
0010303329A4	147
00103033400A4	147
00103033600A4	147
001030404011A4	143
001030404011A4	148
0010304040291A4	143
0010304040292A4	143
0010304200W	149
0010304210A4	147
0010304210A4	147
0010304210W	149
00103042180W10	149
00103042180W20	149
00103042200A4	147
0010304220A4	147
0010304229A4	147
0010304229W	149
00103042400A4	147
00103042600A4	147
0010304810A4	147
0010304810A4	147
00103048200A4	147
0010304820A4	147
0010304829A4	147
00103048400A4	147
00103048600A4	147

RÉF. / REF.	PAGE	RÉF. / REF.	PAGE	RÉF. / REF.	PAGE	RÉF. / REF.	PAGE
00104000-0818	152	0070CAPO506	103	0070JOINT1515L	101	007BOU-D30-G	104
00104500-0818	152	0070CAPO509	104	0070JOINT9/16	101	007ISOL075-200	127
0010ADDF-BOI-12-18	137	0070CAPO510	103	0070KHT10CALE1010	121	007ISOL107-200	127
0010ADDF-VER-12-25	145	0070CAPO511	106	0070KIT10CALE0808	100	007PIN-06-30	124
0010LED1-BLCNTR5M	145	0070CAPO512	106	0070KIT10CALE1010	100	007PIN-06-50	124
0010LED1-BO	145	0070CAPO513	107	0070KIT10CALE12	100	007PIN-08-50	124
0010LED1-CAPODIFF	145	0070CAPO514	107	0070KIT10CALE1212	100	007PIN-15-50	124
0010LED1-CON1CLIP	145	0070CAPO515	107	0070KIT10CALE1212F	100	007SHIM075E10	124
0010LED1-CON2	145	0070CAPO516	107	0070KIT10CALE1212L	100	008-TRVS-1.4NM	125
0010LED1-CONSOUD	145	0070CAPO517	103	0070KIT10CALE15	100	0080CAPO250	106
0010LED1-PROFSUP	145	0070CAPO526	104	0070KIT10CALE1515F	100	0080CAPO252	106
007-ALIM230/24-100	128	0070CAPO527	108	0070KIT10CALE1515L	100	0080CAPO260	106
007-ALIM230/24-150	128	0070CE-30-01U	116	0070KIT10CALE19	100	0080CE50	119
007-ALIM230/24-240	128	0070CE10	111	0070KIT20CALE1212X	100	0080CE52	119
007-ALIM230/24-60	128	0070CE10-01U	116	0070RAIL10	28	0080ESPAC08	126
007-FLEX-BCH-ALIM	128	0070CE11	111	0070RAIL11	62	0080ESPAC10	126
007-FLEX-BCH-FIN	128	0070CE11-01U	116	0070RAIL11R	67	0080ESPAC12	126
007-LED-BLC-CHD-5M	128	0070CE13D	113	0070RAIL13	70	0080JOINT0606*	101
007-LED-BLC-FRD-5M	128	0070CE13D-01U	117	0070RAIL13D	74	0080RAIL50	12-16
007-LED-BLC-NTR-5M	128	0070CE13G	113	0070RAIL15	32	0080RAIL60	15-19
007-LED-BLEU-5M	128	0070CE13G-01U	117	0070RAIL17	20	008KIT10CALE0606	100
007-LED-JAUNE-5M	128	0070CE15D	113	0070RAIL18	36	009REL5060-12-9/16	136
007-LED-ROUGE-5M	128	0070CE15G	114	0070RAIL18L	40	009REL5060-17.5	136
007-LED-VERT-5M	128	0070CE17D	114	0070RAIL19	44	009REL5060-21.5	136
007-OUT-1S	125	0070CE17G	114	0070RAIL20	31	09ACC-ECOUV12	123
007OUTNV01-U45	120	0070CE18	112	0070RAIL201	31-65	09ACC-ECOUV16/18	123
007-TORX-T20/150	125	0070CE18LD	112	0070RAIL203	73	09ACC-FIX-PI-SC	123
007-TRVS-2NM	125	0070CE18LG	112	0070RAIL204	27-57	09ACC-SOUF	123
007018ESPAC1212	126	0070CE30	111	0070RAIL205	35	09FIX-CDA4-10	122
007018ESPAC1515	126	0070CEC01	118	0070RAIL209	47	09FIX-CDA4-12	122
0070ADDF-ALU-12-33	126	0070CEC02	118	0070RAIL21	65	09FIX-CDAZ-10	122
0070CALE-LED	128	0070CER10	115	0070RAIL21R	69	09FIX-CDAZ-12	122
0070CAPO204	108	0070CER11	115	0070RAIL23	73	09FIX-GAA4-10	122
0070CAPO205	104	0070CER13	115	0070RAIL25	35	09FIX-GAA4-12	122
0070CAPO206	103	0070ESPAC0808	126	0070RAIL27	23	09FIX-GAAZ-10	122
0070CAPO209	104	0070ESPAC1010	126	0070RAIL28	39	09FIX-GAAZ-12	122
0070CAPO210	103	0070ESPAC12	126	0070RAIL28L	43	09FIX-SCA4-10	123
0070CAPO211	106	0070ESPAC1212	126	0070RAIL29	47	09FIX-SCAZ-10	123
0070CAPO212	106	0070ESPAC15	126	0070RAIL30	24	09FIX-SCAZ-12	123
0070CAPO213	107	0070ESPAC1515	126	0070RAIL31	54	09FIX-VBA4-10	122
0070CAPO214	107	0070ESPAC19	126	0070RAIL31R	58	09FIX-VBA4-12	122
0070CAPO215	107	0070JOINT0808	101	0070RAIL40	27	09FIX-VBAZ-10	122
0070CAPO216	107	0070JOINT0808C	101	0070RAIL41	57	70UT-KITNET01	127
0070CAPO217	103	0070JOINT0808G	101	0070RAIL41R	61	70UT-NET01	127
0070CAPO221	108	0070JOINT1010	101	0070RAIL501	31		
0070CAPO222	107	0070JOINT1010C	101	0070RAIL503	73		
0070CAPO223	107	0070JOINT1010G	101	0070RAIL504	27-57		
0070CAPO225	107	0070JOINT1212	101	0070RAIL505	35		
0070CAPO226	104	0070JOINT1212C	101	0070RAIL509	47		
0070CAPO227	108	0070JOINT1212G	101	007AKIT08CAL1S0606	100		
0070CAPO504	108	0070JOINT1212L	101	007AKIT08CAL1S0808	100		
0070CAPO505	104	0070JOINT1515	101	007AKIT08CAL1S1010	100		



We Build the Invisible

CLASSIC®

DECOR®

CONSTRUCT®

SABCO®

SWIMSIDE®

COLCOM

Member of
**SIMONSWERK
GROUP**

Tel. +33(0) 4 50 08 39 00 | Fax. +33(0) 4 50 08 39 49
76, chemin des Poses - 74330 Poisy (France)

sadev.com
follow us on

